


PS536
Europe

PS536 Gas and Electric Ovens

PARTS MANUAL

for European export ovens

© 2001 Middleby Marshall, Inc.

 Middleby Marshall® is a registered trademark of Middleby Marshall, Inc. All rights reserved.

Middleby Cooking Systems Group • 1400 Toastmaster Drive • Elgin, IL 60120 • (847)741-3300 • FAX (847)741-4406

TABLE OF CONTENTS

Section	Page
I. KEY SPARE PARTS KIT	3
II. INSTALLATIONKIT	4
III. TOP PANEL, BASE PAD, LEGS, AND STACKING COMPONENTS	6
IV. PANELS, END PLUGS, AND WINDOW	8
V. CONTROL COMPARTMENT FOR ELECTRIC OVENS	10
VI. CONTROL COMPARTMENT FOR GAS OVENS	12
VII. BLOWER ASSEMBLY	14
VIII. HEATINGELEMENTS	16
IX. GAS TRAIN ASSEMBLY	18
X. BAR-FRAME SINGLE-BELT CONVEYORS, 60"/1.52m (ORIGINAL STANDARD)	20
<i>Type 1: Produced through 3/01. 1.52m long, non-folding after assembly, center tension adjustment</i>	
<i>Type 2: Produced 4/01-current. 1.52m long, folding, center tension adjustment</i>	
XI. BAR-FRAME SPLIT-BELT CONVEYORS, 60"/1.52m	22
<i>Type 1: Produced through 3/01. 1.52m long, non-folding after assembly, center tension adjustment</i>	
<i>Type 2: Produced 4/01-current. 1.52m long, folding, center tension adjustment</i>	
XII. BAR-FRAME SINGLE-BELT CONVEYOR, 56"/1.42m (PIZZA HUT)	24
<i>Produced 10/01-current. 1.42m long, folding, center tension adjustment</i>	
XIII. BAR-FRAME SINGLE-BELT CONVEYOR, 60"/1.52m, WITH EXTERNAL BEARINGS (SCHLOTSKY'S)	26
<i>Produced 3/01-current. 1.52m long, folding, center tension adjustment, external bearings</i>	
XIV. "C" CHANNEL-FRAME SINGLE BELT CONVEYOR, 60"/1.52m (OLIVE GARDEN OR CURRENT STANDARD)	28
<i>Produced 4/01-current. 1.52m long, folding, endplate thumbscrew tension adjustment</i>	
XV. "C" CHANNEL-FRAME SINGLE BELT CONVEYOR, 76"/1.93m (McDONALD'S OR 76" STANDARD)	30
<i>Produced 4/01-current. 1.93m long, non-folding after assembly, endplate thumbscrew tension adjustment</i>	

NOTE: Throughout this Parts Manual, the following abbreviations are used:

A/R = Quantity As Required

N/A = Does Not Apply

WARNING

FOR YOUR SAFETY DO NOT STORE OR USE GASOLINE OR OTHER FLAMMABLE VAPORS AND LIQUIDS IN THE VICINITY OF THIS OR ANY OTHER APPLIANCE

WARNING

Improper installation, adjustment, alteration, service or maintenance can cause property damage, injury or death. Read the installation, operating and maintenance instructions thoroughly before installing or servicing this equipment.

WARNING

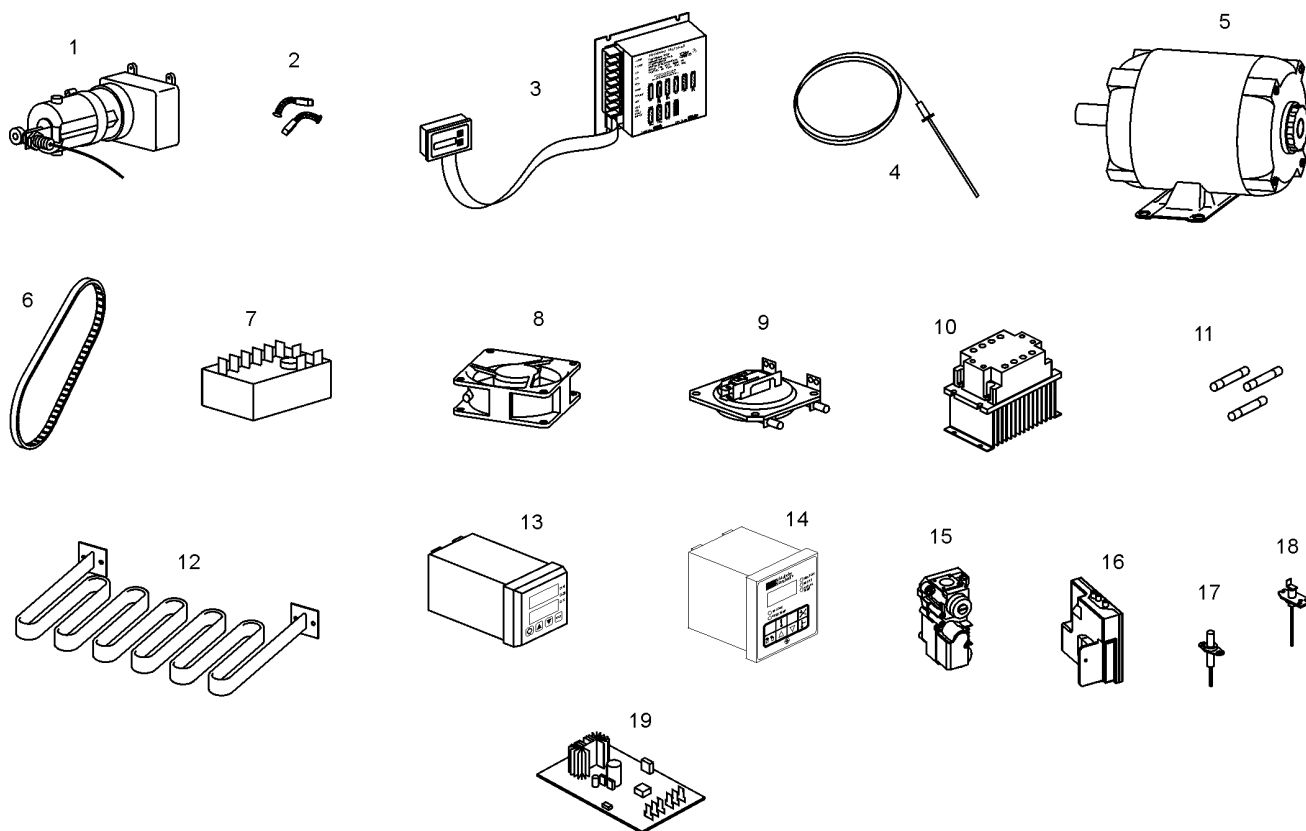
DISCONNECT THE OVEN FROM ITS ELECTRICAL POWER SUPPLY BEFORE SERVICING.

NOTICE

Using any parts other than genuine Middleby Marshall factory manufactured parts relieves the manufacturer of all warranty and liability.

NOTICE

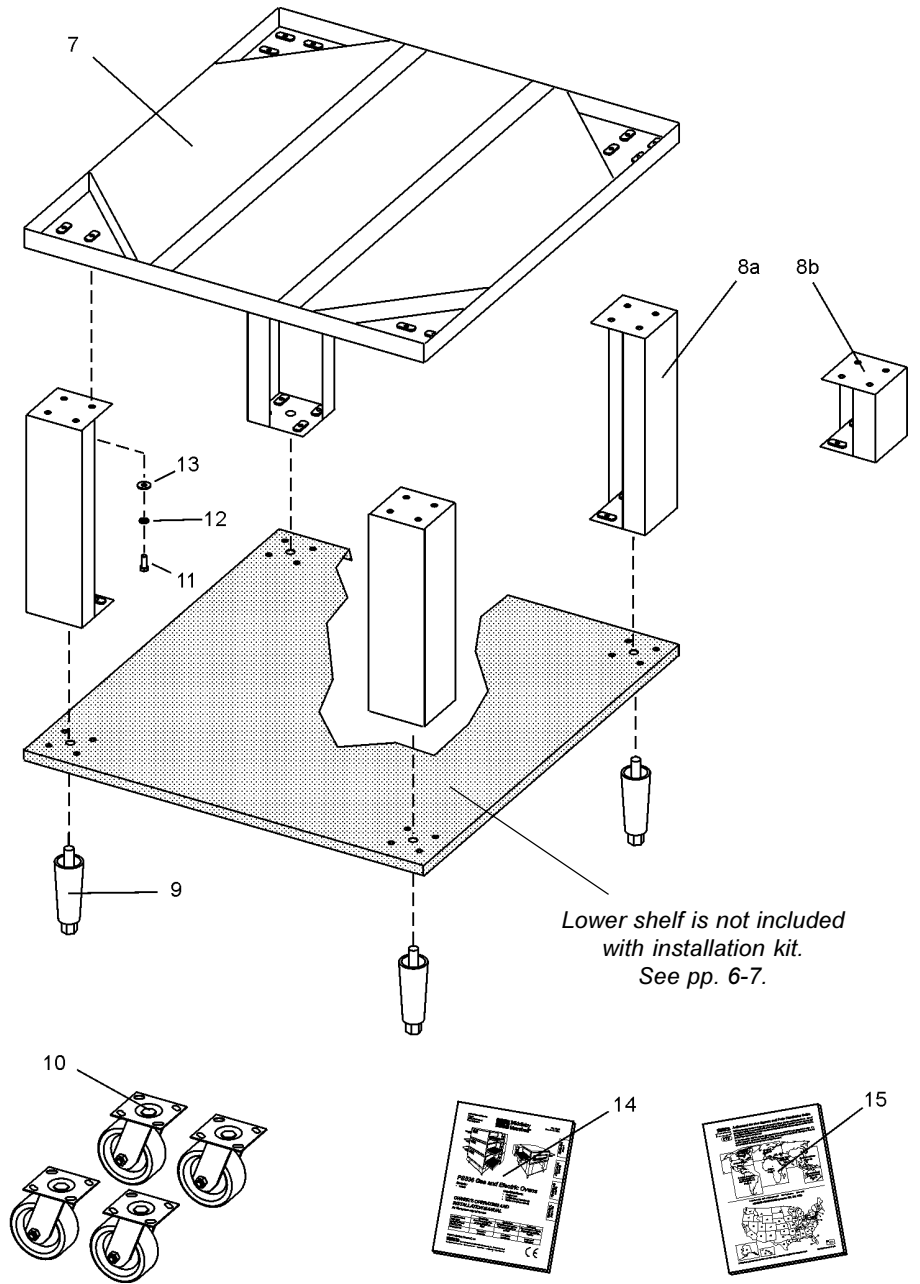
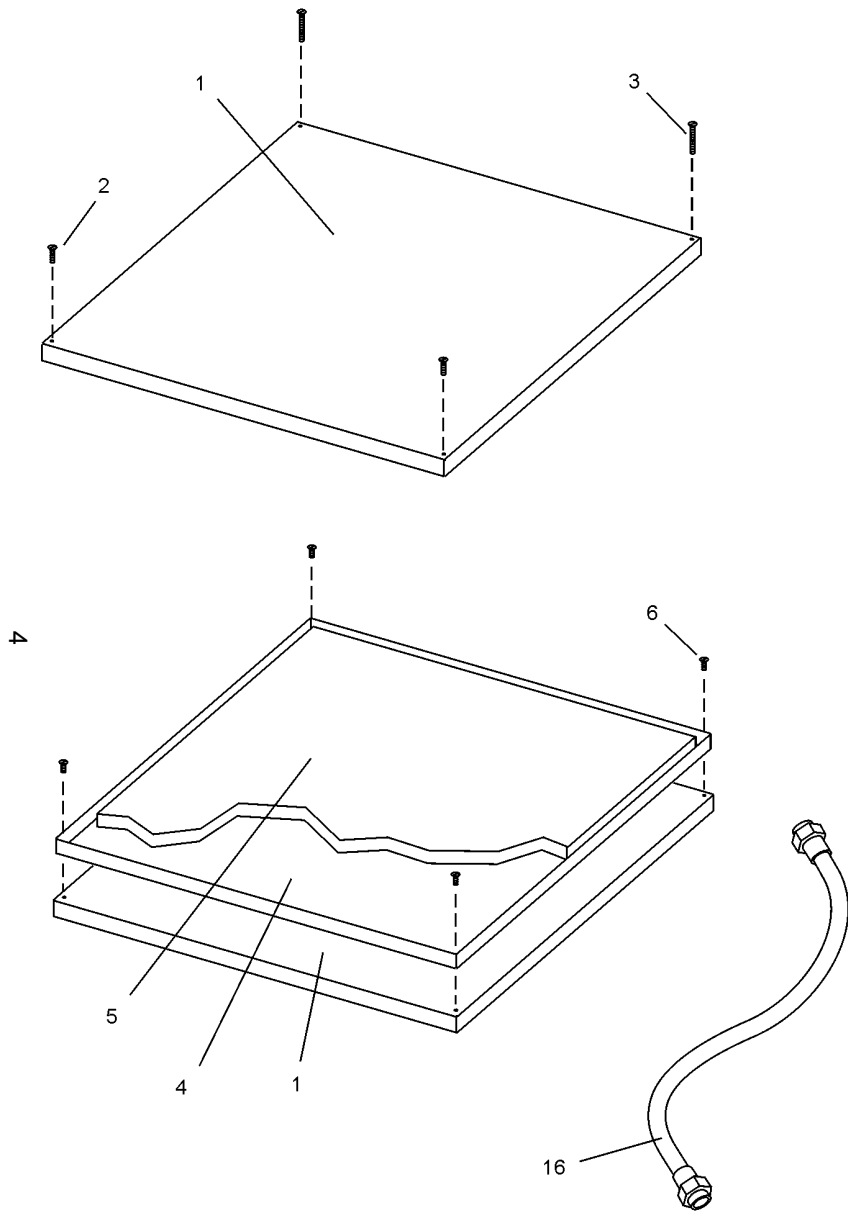
Middleby Marshall (Manufacturer) reserves the right to change specifications at any time.



I. KEY SPARE PARTS KIT

ITEM	QTY.	P/N	DESCRIPTION
1	1	44695	CONVEYOR DRIVE MOTOR W/PICKUP ASSY.
2	2	30153	DRIVE MOTOR BRUSHES
3	1	37337	KIT, CONVEYOR SPEED CONTROLLER
4	1	33985	KIT, THERMOCOUPLE
5	1	44687	MOTOR, BLOWER
6	1	44685	BELT, BLOWER
7	1	33983	HIGH LIMIT CONTROL MODULE, 230V
8	1	97525	AXIAL COOLING FAN, 230V
9	1	39530	AIR SWITCH, 230V
ELECTRIC OVENS ONLY:			
10	1	44585	RELAY AND HEAT SINK ASSEMBLY
11	3	44701	FUSE, 60A
12	1	45281	HEATING ELEMENT, 380V 8 KW
13	1	44783	KIT, DIGITAL TEMPERATURE CONTROLLER
GAS OVENS ONLY:			
14	1	36939	KIT, DIGITAL TEMPERATURE CONTROLLER
15	1	45668	GAS CONTROL VALVE
16	1	45669	IGNITION MODULE
17	1	45770	IGNITOR
18	1	45771	FLAME PROBE
19	1	31651	AMPLIFIER BOARD

PS536
Europe

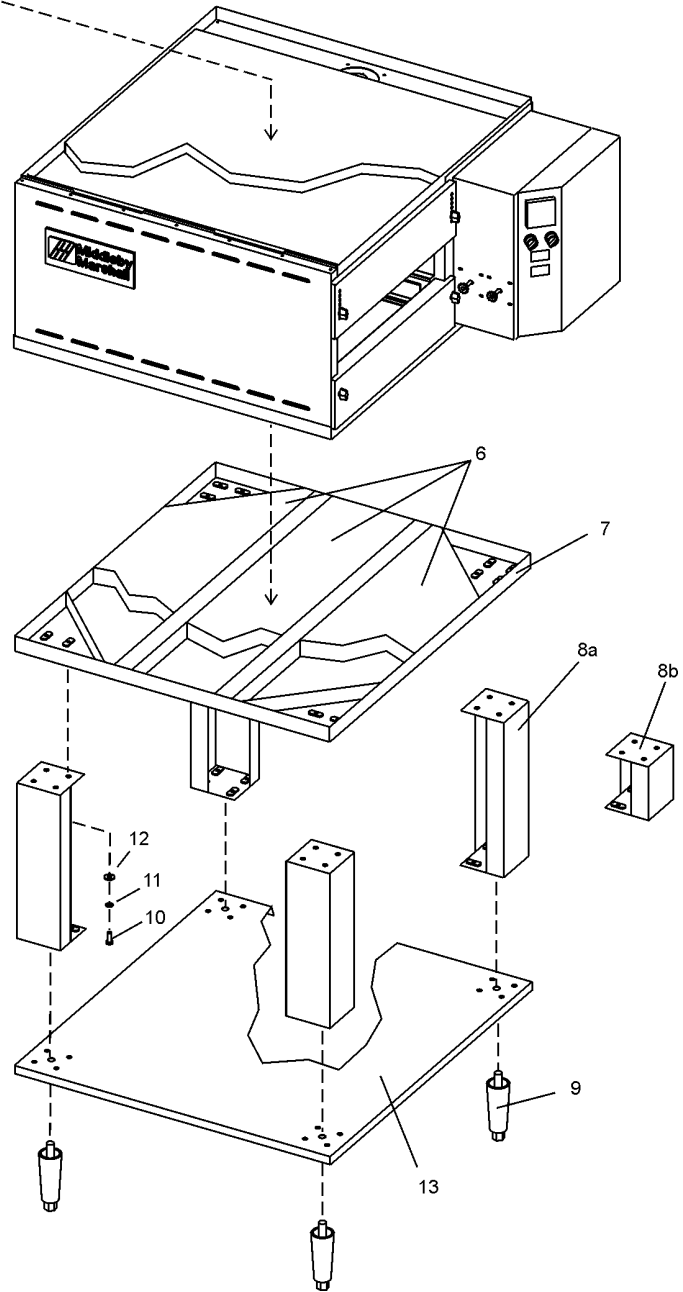
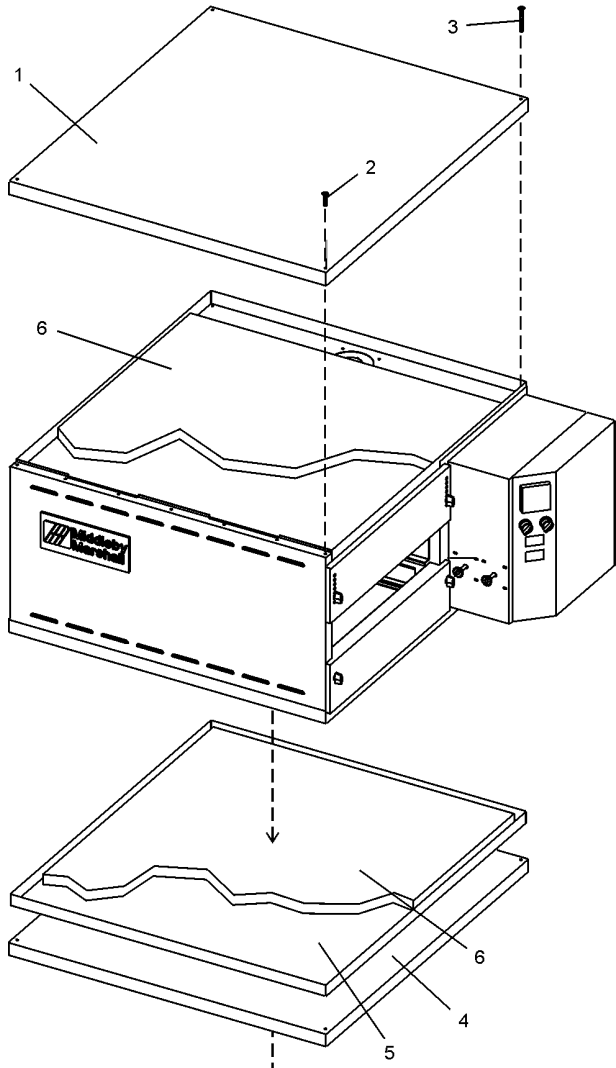


II. INSTALLATION KIT

ITEM	QTY. SINGLE OVEN	QTY. DOUBLE OVEN	QTY. TRIPLE OVEN	PART NO.	DESCRIPTION
1	1	2	3	42882	TOP PANEL
2	2	2	2	220352	SCREW, PAN HEAD #10 X 1" (TOP PANEL - FRONT)
3	2	2	2	3A80A8801	SCREW, PAN HEAD #10 X 2" (TOP PANEL - REAR)
4	--	1	2	44837	STACKING PANEL
5	--	1	2	44918	INSULATION, STACKING PANEL, PRE-CUT
6	--	4	8	4111A8815	SCREW, HEX HEAD #10-32 X 1/2" (STACKING PANELS)
7	1	1	1	42893	BASE PAD
8a	4	4	--	42890	445mm LEG EXTENSION (STANDARD), FOR SINGLE AND DOUBLE OVENS
8b	--	--	4	44799	152mm LEG EXTENSION (STANDARD), FOR TRIPLE OVENS
8c	4	--	--	45329	597mm LEG EXTENSION (CUSTOM), FOR SINGLE OVENS
8d	4	4	--	45360	521mm LEG EXTENSION (CUSTOM), FOR SINGLE AND DOUBLE OVENS
9	4	4	4	22450-0028	LEG, ADJUSTABLE, 152mm
10	4	4	4	22290-0010	CASTER, WITH FLAT PLATE (NO BRAKE)
					<i>NOTE: These casters are provided to allow the oven to be more easily moved to the installation location, and are NOT suitable for use as part of the oven installation.</i>
11	32	32	32	220373	HEX BOLT, 3/8"-16 X 1"
12	32	32	32	21416-0001	FLAT WASHER, 3/8"
13	32	32	32	21422-0001	LOCKWASHER, 3/8"
14a	1	1	1	46525	OWNER'S OPERATING MANUAL, PS536 GAS AND ELECTRIC OVENS (EUROPEAN EXPORT MODELS), ENGLISH/GERMAN/FRENCH/SPANISH
14b	1	1	1	46526	OWNER'S OPERATING MANUAL, PS536 GAS AND ELECTRIC OVENS (EUROPEAN EXPORT MODELS), DANISH/DUTCH/ITALIAN/GREEK
15	1	1	1	1002040	MIDDLEBY MARSHALL AUTHORIZED SERVICE AGENCY LISTING
GAS OVENS ONLY:					
16	1	2	3	22361-0001	GAS HOSE

**PS536
Europe**

PS536
Europe

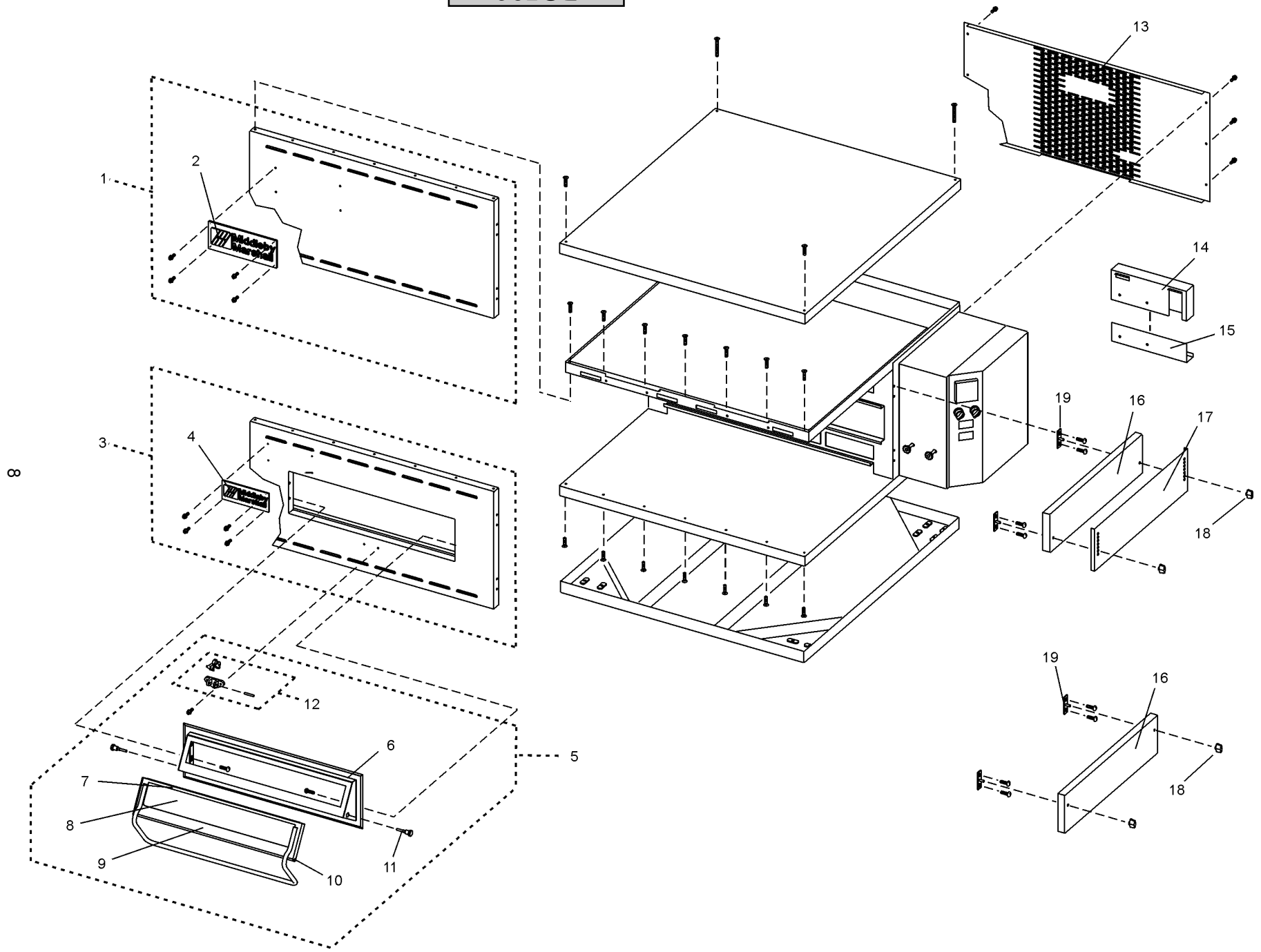


III. TOP PANEL, BASE PAD, LEGS, AND STACKING COMPONENTS

ITEM	QTY.	P/N	DESCRIPTION
1	1	42882	TOP PANEL
2	2	220352	SCREW, PAN HEAD #10 X 1"
3	2	3A80A8801	SCREW, PAN HEAD #10 X 2"
4	1	42882	TOP PANEL
5	1	44837	STACKING PANEL
6	A/R	--	INSULATION, 1-1/2" THICK
7	1	42893	BASE PAD
8a	4	42890	445MM LEG EXTENSION (STANDARD), FOR SINGLE AND DOUBLE OVENS
8b	--	44799	152MM LEG EXTENSION (STANDARD), FOR TRIPLE OVENS
8c	4	45329	597MM LEG EXTENSION (CUSTOM), FOR SINGLE OVENS
8d	4	45360	521MM LEG EXTENSION (CUSTOM), FOR SINGLE AND DOUBLE OVENS
9	4	22450-0028	LEG, ADJUSTABLE, 152MM
10	32	220373	HEX BOLT, 3/8"-16 X 1"
11	32	21416-0001	FLAT WASHER, 3/8"
12	32	21422-0001	LOCKWASHER, 3/8"
13	1	46393	LOWER SHELF (OPTIONAL)

7

**PS536
Europe**

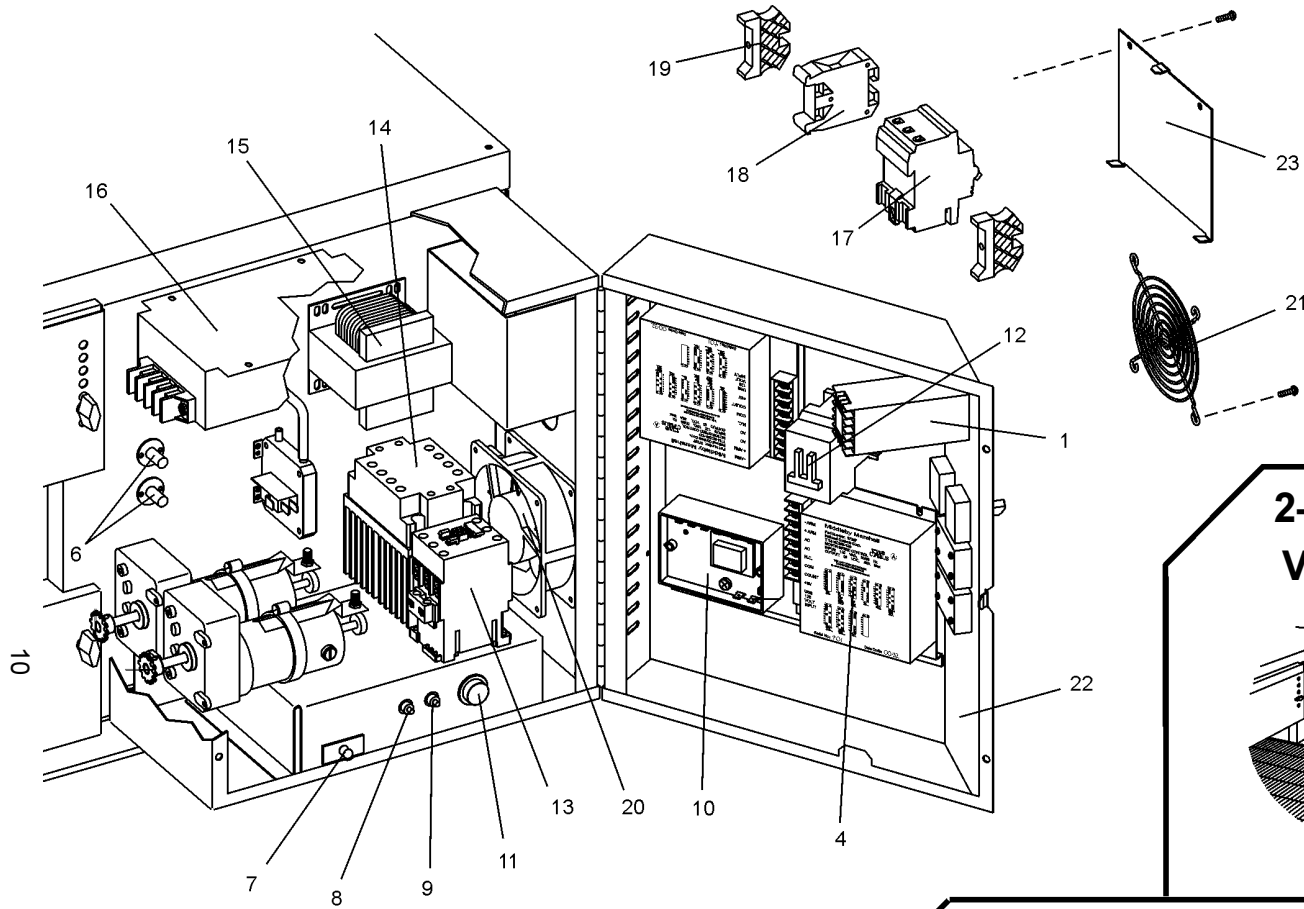


IV. PANELS, END PLUGS, AND WINDOW

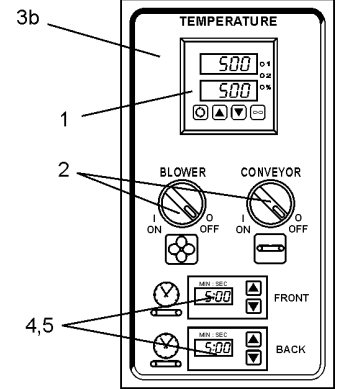
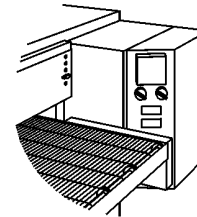
ITEM	QTY.	P/N	DESCRIPTION
1	1	43255	ASSEMBLY, FRONT PANEL WITHOUT WINDOW (INC. ITEM 2)
2	1	22500-0021	NAMEPLATE, "MIDDLEBY MARSHALL" (STANDARD SIZE)
3	1	44803	ASSEMBLY, FRONT PANEL WITH WINDOW (INC. ITEMS 4-12)
4	1	45739	NAMEPLATE, "MIDDLEBY MARSHALL" (SMALL SIZE)
5	1	49400-0120	ASSEMBLY, WINDOW AND LATCH (INC. ITEMS 6-12)
6	1	37900-0103	WINDOW MOUNTING FRAME
7	1	30286	WINDOW FRAME TOP
8	1	22140-0017	GLASS, PRE-CUT
9	1	30287	WINDOW FRAME
10	1	33300-0273	HINGE TUBE
11	2	34121-0003	THUMBSCREW, PIVOT
12	1	42400-0087	ASSEMBLY, LATCH
13	1	46568	REAR PANEL
14	1	<i>See pp. 18-27</i>	CHAIN COVER, UPPER
15	1	<i>See pp. 18-27</i>	CHAIN COVER, LOWER
16	4	43252	END PLUG
17	2	42771	EYEBROW
18	8	36452	WING NUT, PLASTIC
19	8	45449	BRACKET, END PLUG MOUNTING



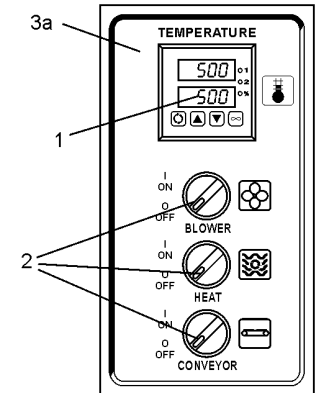
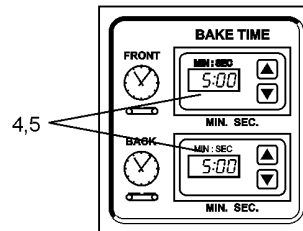
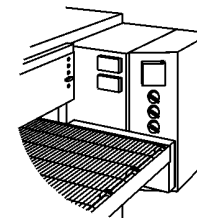
PS536
Europe



2-SWITCH VERSION



3-SWITCH VERSION



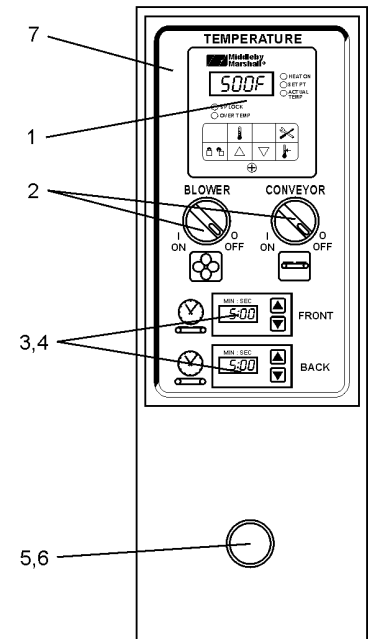
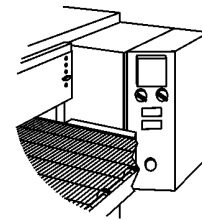
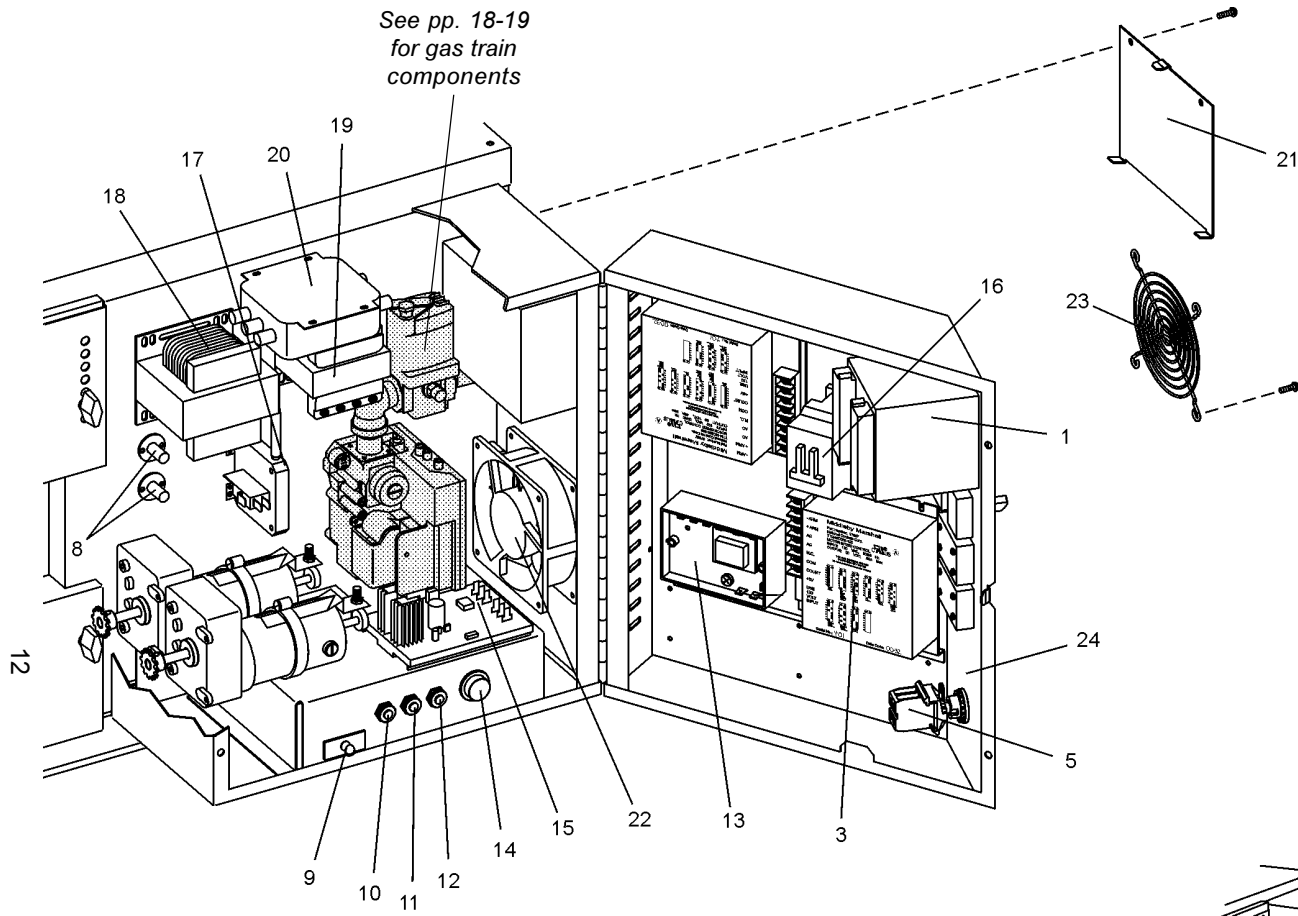
V. CONTROL COMPARTMENT FOR ELECTRIC OVENS

ITEM	QTY.	P/N	DESCRIPTION
1	1	44783	DIGITAL TEMPERATURE CONTROLLER (FOR ELECTRIC OVENS)
2	A/R	37168	SELECTOR SWITCH WITH KNOB
3a	1	43346	DECAL, CONTROL PANEL, 3-SWITCH VERSION
3b	1	45333	DECAL, CONTROL PANEL, 2-SWITCH VERSION
4	A/R	37337	KIT, CONVEYOR SPEED CONTROLLER WITH DIGITAL DISPLAY (INC. ITEM 5)
5	A/R	37503	DIGITAL DISPLAY
6	2	33985	KIT, THERMOCOUPLE
7	1	28021-0047	SAFETY SWITCH
⇒ 8	1	45036	CIRCUIT BREAKER, 240V 3A
9	1	45037	CIRCUIT BREAKER, 240V 15A
10	1	33983	HIGH LIMIT CONTROL MODULE, 240V
11	1	30693	RESET SWITCH FOR HIGH LIMIT, LIGHTED

ITEM	QTY.	P/N	DESCRIPTION
12	1	28041-0008	CONTACTOR, 120V 25A
13	1	44549	CONTACTOR, 230V 85A
14	1	44585	ASSEMBLY, SOLID STATE RELAY AND HEAT SINK
15	1	31504	TRANSFORMER, 230V PRI : 120V SEC, 200 VA
16	1	45244	RFI FILTER
17	1	45019	CIRCUIT BREAKER BLOCK, 480V 63A 3-POLE
18	1	36370	TERMINAL BLOCK
19	2	36371	TERMINAL BLOCK END STOP
20	1	27392-0002	COOLING FAN
21	1	27470-0004	GUARD, COOLING FAN
22a	1	45325	CONTROL PANEL, 2-SWITCH CONFIGURATION, FOR ELECTRIC OVENS WITH RIGHT-SIDE CONTROLS ONLY
22b	1	<i>Not available</i>	CONTROL PANEL, 2-SWITCH CONFIGURATION, FOR ELECTRIC OVENS WITH LEFT-SIDE CONTROLS ONLY
23	1	42847	COVER, ELECTRICAL JUNCTION BOX

**PS536
Europe**

See pp. 18-19
for gas train
components



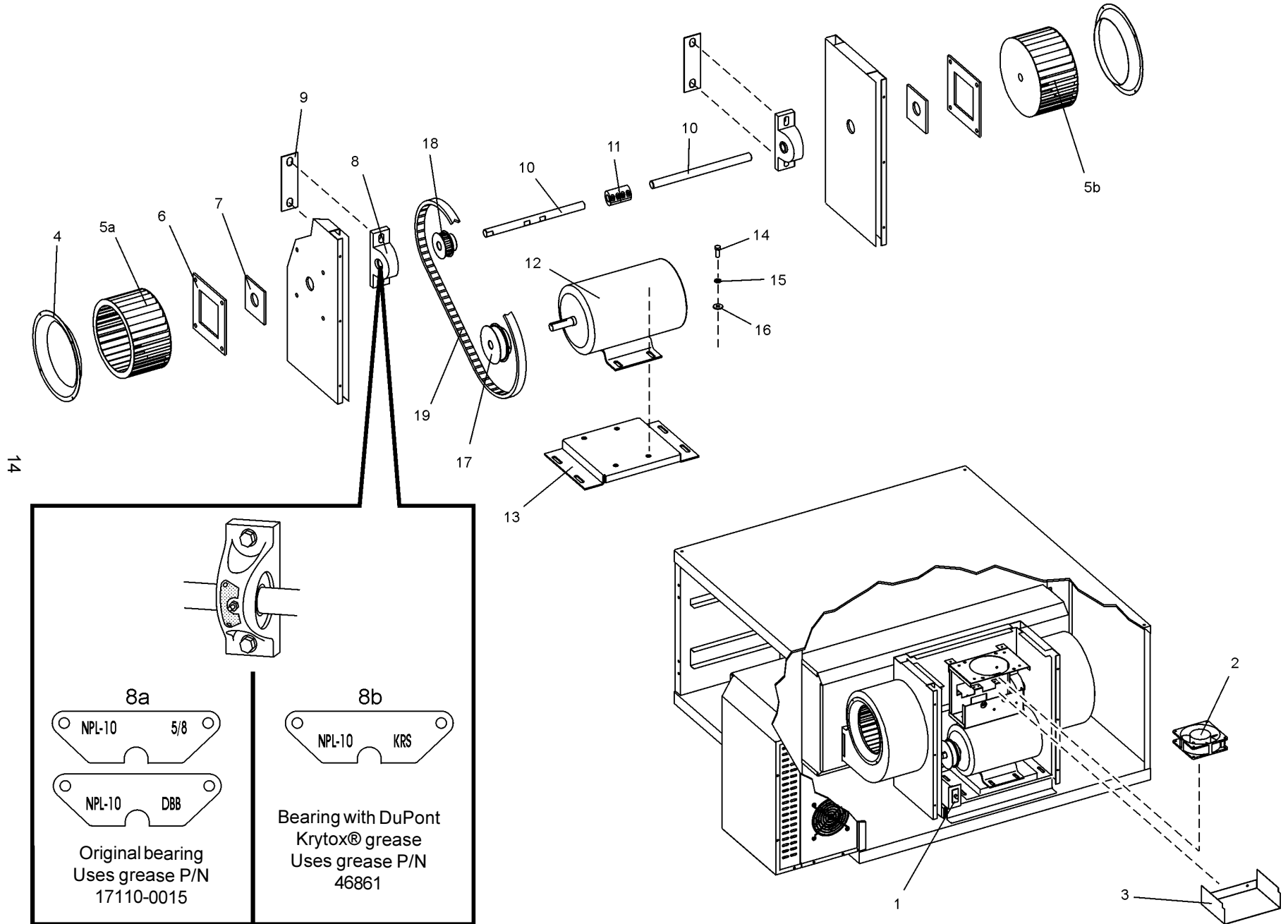
VI. CONTROL COMPARTMENT FOR GAS OVENS

ITEM	QTY.	P/N	DESCRIPTION
1	1	44823	DIGITAL TEMPERATURE CONTROLLER
2	3	37168	SELECTOR SWITCH WITH KNOB
3	A/R	37337	KIT, CONVEYOR SPEED CONTROLLER WITH DIGITAL DISPLAY (INC. ITEM 4)
4	A/R	37503	DIGITAL DISPLAY
5	1	28201-0016S	SWITCH, LIGHTED IGNITION RESTART (INC. ITEM 6)
6	1	27073-0007	BULB, NEON 220V
7	1	45333	DECAL, CONTROL PANEL
8	2	33985	KIT, THERMOCOUPLE
9	1	28021-0047	SAFETY SWITCH
10	1	45644	CIRCUIT BREAKER, 1A
11	1	45036	CIRCUIT BREAKER, 3A
12	1	45037	CIRCUIT BREAKER, 15A
13	1	33983	HIGH LIMIT CONTROL MODULE, 240V

ITEM	QTY.	P/N	DESCRIPTION
14	1	30693	RESET SWITCH FOR HIGH LIMIT, LIGHTED
15	1	31651	AMPLIFIER BOARD
16	1	28041-0008	CONTACTOR
17	1	39530	AIR SWITCH
18	1	31504	TRANSFORMER, 230V PRI : 120V SEC, 200 VA
19	1	44421	TRANSFORMER, 230V PRI : 24V SEC, 50 VA
20	1	33813	RFI FILTER
21	1	42847	COVER, ELECTRICAL JUNCTION BOX
22	1	27392-0002	COOLING FAN
23	1	27470-0004	GUARD, COOLING FAN
24a	1	45767	CONTROL PANEL, FOR GAS OVENS WITH RIGHT-SIDE CONTROLS ONLY
24b	1	<i>Not available</i>	CONTROL PANEL, FOR GAS OVENS WITH LEFT-SIDE CONTROLS ONLY

13

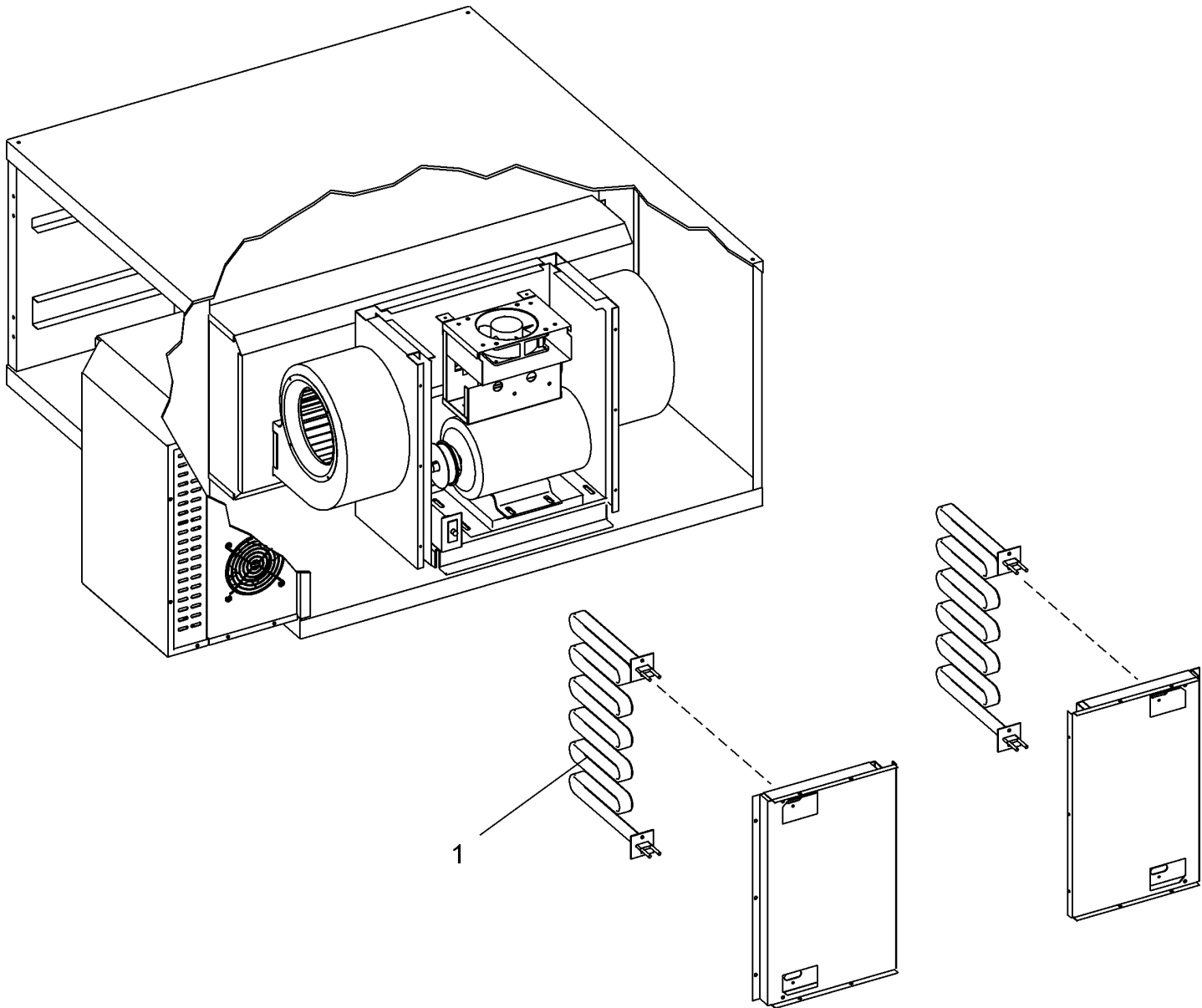
**PS536
Europe**



VII. BLOWER ASSEMBLY

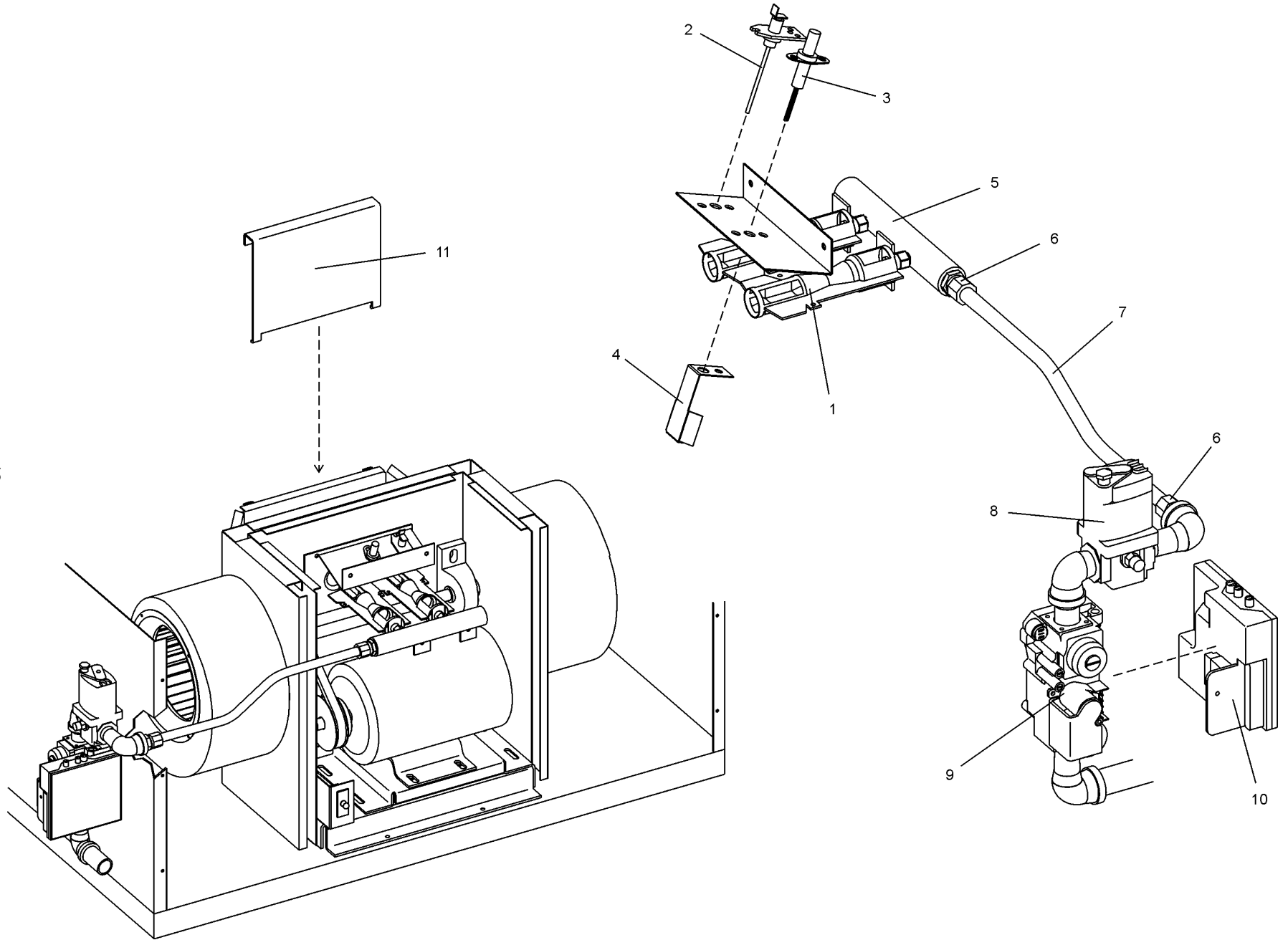
ITEM	QTY.	P/N	DESCRIPTION
1	1	28021-0047	SAFETY SWITCH
2	1	97525	AXIAL COOLING FAN, 230V
3	1	46591	BAFFLE, COOLING FAN
4	2	42951	INLET RING
5a	1	42752	BLOWER WHEEL, RIGHT
5b	1	42753	BLOWER WHEEL, LEFT
6	2	42999	RETAINER, TEFLON SEAL
7	2	35121-0045	TEFLON SEAL
8a	2	22072-0025	BEARING, 5/8" BORE WITH STANDARD GREASE
--	--	17110-0015	GREASE, MM STANDARD CARTRIDGE
8b	2	46537	BEARING, 5/8" BORE WITH DUPONT KRYTOX® GREASE
--	--	46861	GREASE, DUPONT KRYTOX®, 8 OZ. TUBE
9	2	46601	GASKET, BEARING (USED ON OVENS EQUIPPED WITH BEARING 8b)
10	2	42760	BLOWER SHAFT
11	1	44748	COUPLING, BLOWER SHAFT
12	1	44687	MOTOR, BLOWER 1/2HP
13	1	44688	PLATE, MOTOR MOUNTING
14	4	A11687	SCREW, HEX CAP HEAD 5/16"-18 X 7/8"
15	4	B301A8847	FLAT WASHER, 5/16"
16	4	A3682	LOCK WASHER, 5/16"
17a	1	43111	PULLEY, BLOWER MOTOR, 24T
18	1	42795	PULLEY, BLOWER SHAFT
19	1	44685	BLOWER BELT





VIII. HEATING ELEMENTS

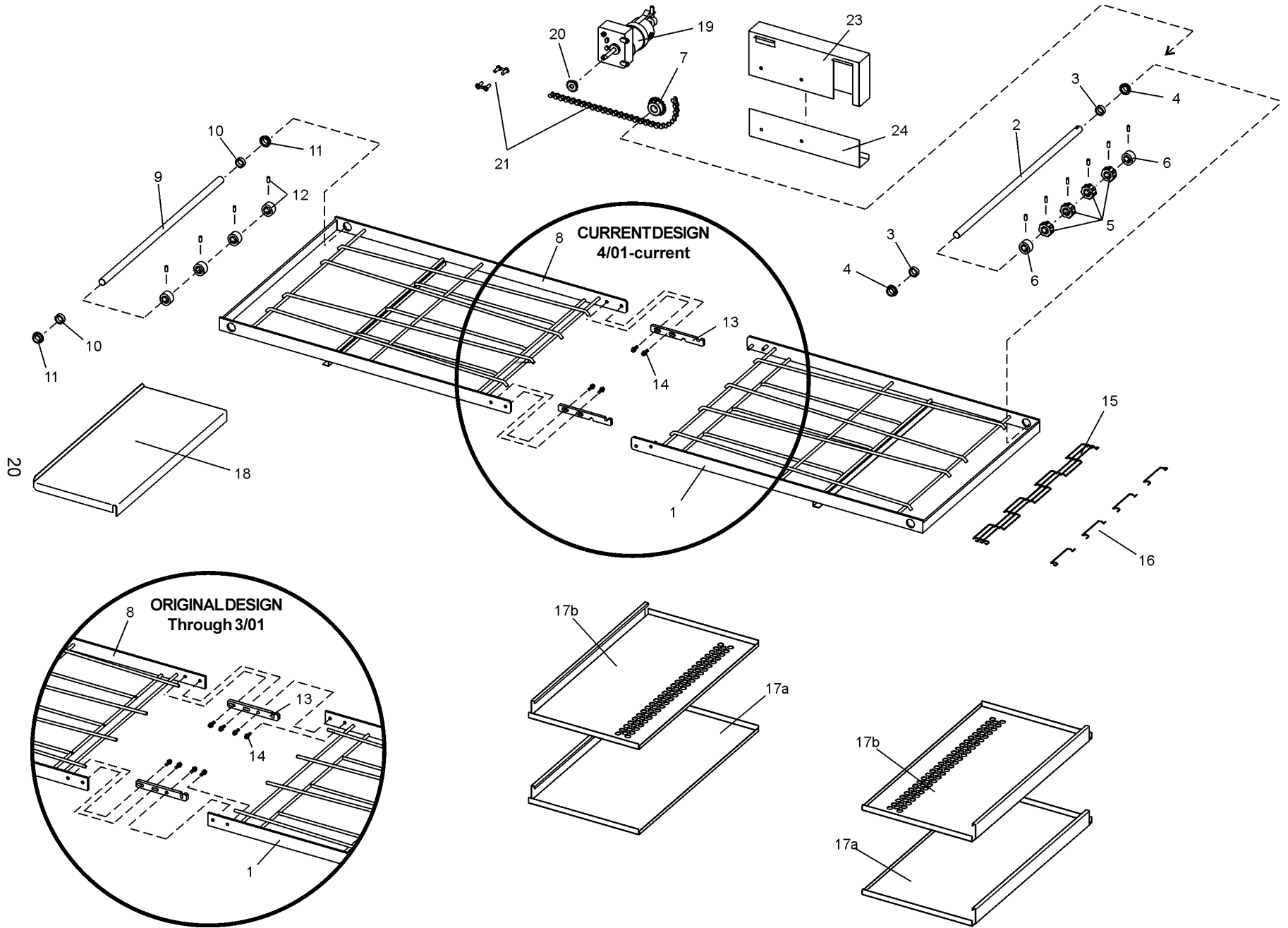
ITEM	QTY.	P/N	DESCRIPTION
1	2	45281	HEATING ELEMENT, 380V, 8kW



IX. GAS TRAIN ASSEMBLY

ITEM	QTY.	P/N	DESCRIPTION
1	2	44983	BURNER, INSHOT
2	1	45771	FLAME PROBE
3	1	45770	IGNITOR
4	1	45772	SHIELD, IGNITOR
5	1	45001	MANIFOLD ASSEMBLY
6	2	45043	BURNER TUBE FITTING, 1/2"
7	A/R	45245	TUBE, ALUMINUM, 1/2" (12.7mm) O.D. (BULK)
8	1	41647	MODULATING GAS VALVE, 1/2"
9	1	45668	GAS CONTROL VALVE
10	1	45669	IGNITION MODULE
11	1	44492	PLATE, TARGET
NOT SHOWN:			
--	2	44984	MAIN ORIFICE, NATURAL GAS, 0.935" (2.3749mm, #42 DRILL)
--	2	44985	MAIN ORIFICE, PROPANE, 0.0520" (1.3208mm, #55 DRILL)
--	1	22174-0011	PILOT ORIFICE, NATURAL GAS, 0.028" (0.71mm)
--	1	22174-0010	PILOT ORIFICE, PROPANE, 0.018" (0.46mm)





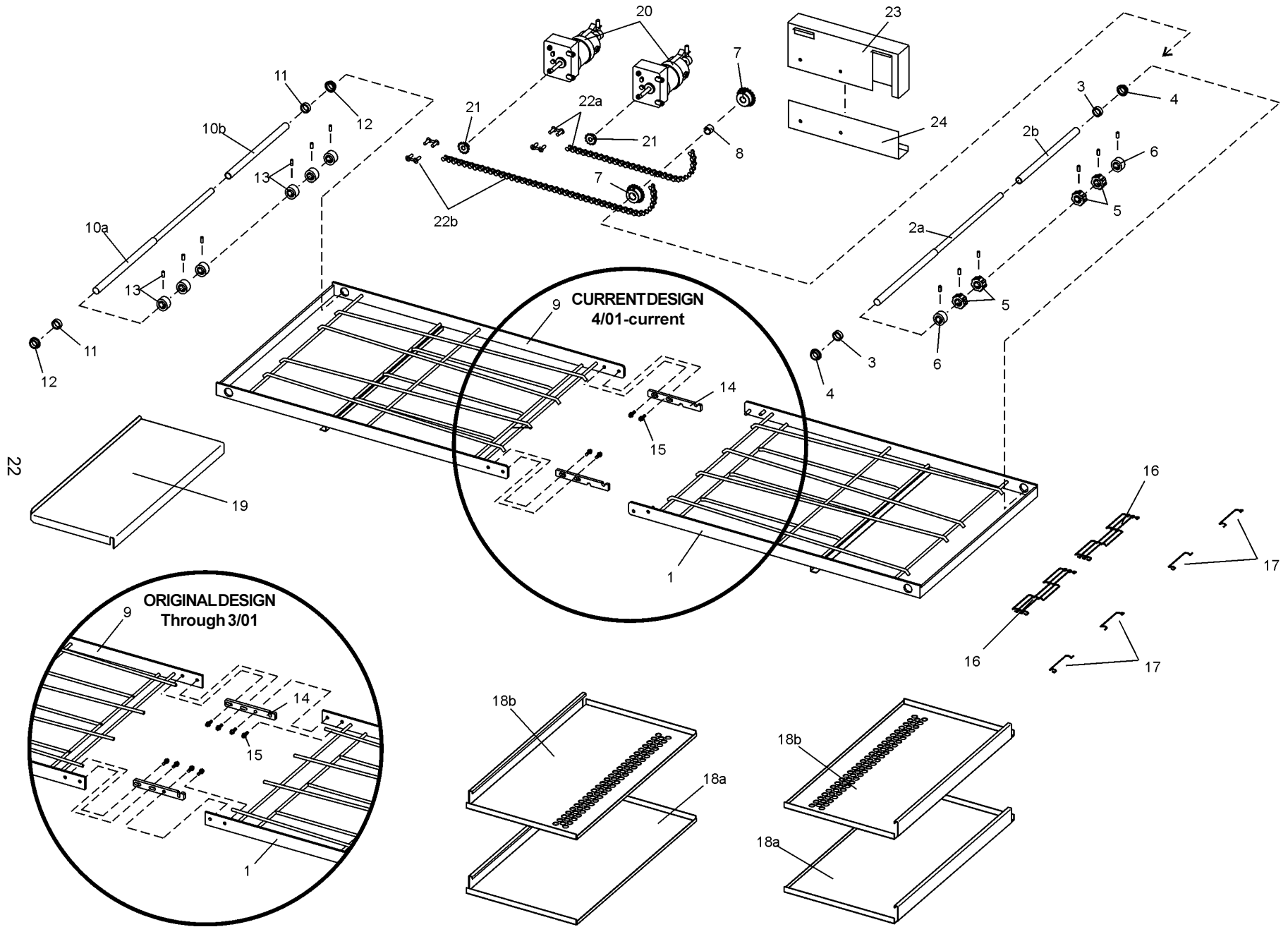
X. BAR-FRAME SINGLE-BELT CONVEYORS, 60"/60"/1.52m (ORIGINAL STANDARD)

Original design produced through 3/01. 1.52m long, non-folding after initial assembly, center tension adjustment

Current design produced 4/01-current. 1.524m long, folding, center tension adjustment

ITEM	QTY.	P/N <i>Type 1</i>	P/N <i>Type 2</i>	DESCRIPTION	ITEM	QTY.	P/N <i>Type 1</i>	P/N <i>Type 2</i>	DESCRIPTION
--	1	--	--	CONVEYOR DRIVE SECTION	14	A/R	A6153	A6153	SCREW, HEX HEAD 1/4"-20 X 1/2"
1	1	44596	45317	CONVEYOR FRAME, DRIVE	15	1	44690	44690	BELT, CONVEYOR (COMPLETE)
2	1	42815	42815	CONVEYOR DRIVE SHAFT	16	1	45642	45642	KIT, MASTER LINKS
3	2	43275	43275	SPACER	17a	2	42899	42899	CRUMB TRAY (SOLID - FOR LOWER OR SINGLE OVEN CAVITY)
4	2	3100473	3100473	BUSHING, BRONZE, 3/4" OD X 5/8" ID	17b	2	44807	44807	CRUMB TRAY (PERFORATED - FOR ALL UPPER OVEN CAVITIES)
5	4	324503	324503	SPROCKET, CONVEYOR BELT - SER-RATED, WITH SET SCREW	18	1	43173	43173	CONVEYOR EXIT TRAY
6	2	325001	325001	SPROCKET, CONVEYOR BELT - SMOOTH-SURFACED, WITH SET SCREW	19	1	44695	44695	ASSEMBLY, CONVEYOR DRIVE MOTOR AND PICKUP
21 7a	1	42819	42819	SPROCKET, CONVEYOR DRIVE, 20T (STANDARD - FOR USE WITH ITEM 20a)	20a	1	34129	34129	SPROCKET, CONVEYOR DRIVE MOTOR, 12T (STANDARD - FOR USE WITH ITEM 7a)
7b	1	45015	45015	SPROCKET, CONVEYOR DRIVE, 16T (HIGH SPEED OPTION - FOR USE WITH ITEM 20b)	20b	1	45349	45349	SPROCKET, CONVEYOR DRIVE MOTOR, 25T (HIGH SPEED OPTION - FOR USE WITH ITEM 7b)
--	1	--	--	CONVEYOR IDLER SECTION	21	1	44705	44705	ASSEMBLY, DRIVE CHAIN WITH MASTER LINK
8	1	44596	45316	CONVEYOR FRAME, IDLER	23a	1	45835	45835	CHAIN COVER, UPPER - OVENS WITH RIGHT-SIDE CONTROLS ONLY
9	1	42814	42814	CONVEYOR IDLER SHAFT	23b	1	<i>Not available</i>	<i>Not available</i>	CHAIN COVER, UPPER - OVENS WITH LEFT-SIDE CONTROLS ONLY
10	2	43275	43275	SPACER	24a	1	45479	45479	CHAIN COVER, LOWER - OVENS WITH RIGHT-SIDE CONTROLS ONLY
11	2	3100473	3100473	BUSHING, BRONZE, 3/4" OD X 5/8" ID	24b	1	<i>Not available</i>	<i>Not available</i>	CHAIN COVER, LOWER - OVENS WITH LEFT-SIDE CONTROLS ONLY
12	4	325001	325001	SPROCKET, CONVEYOR BELT - SMOOTH-SURFACED, WITH SET SCREW					
13	2	43009	45324	ADJUSTMENT BRACKET, CONVEYOR TENSION					

**PS536
Europe**



XI. BAR-FRAME SPLIT-BELT CONVEYORS, 60"/1.52m

Original design produced through 3/01. 1.52m long, non-folding after initial assembly, center tension adjustment

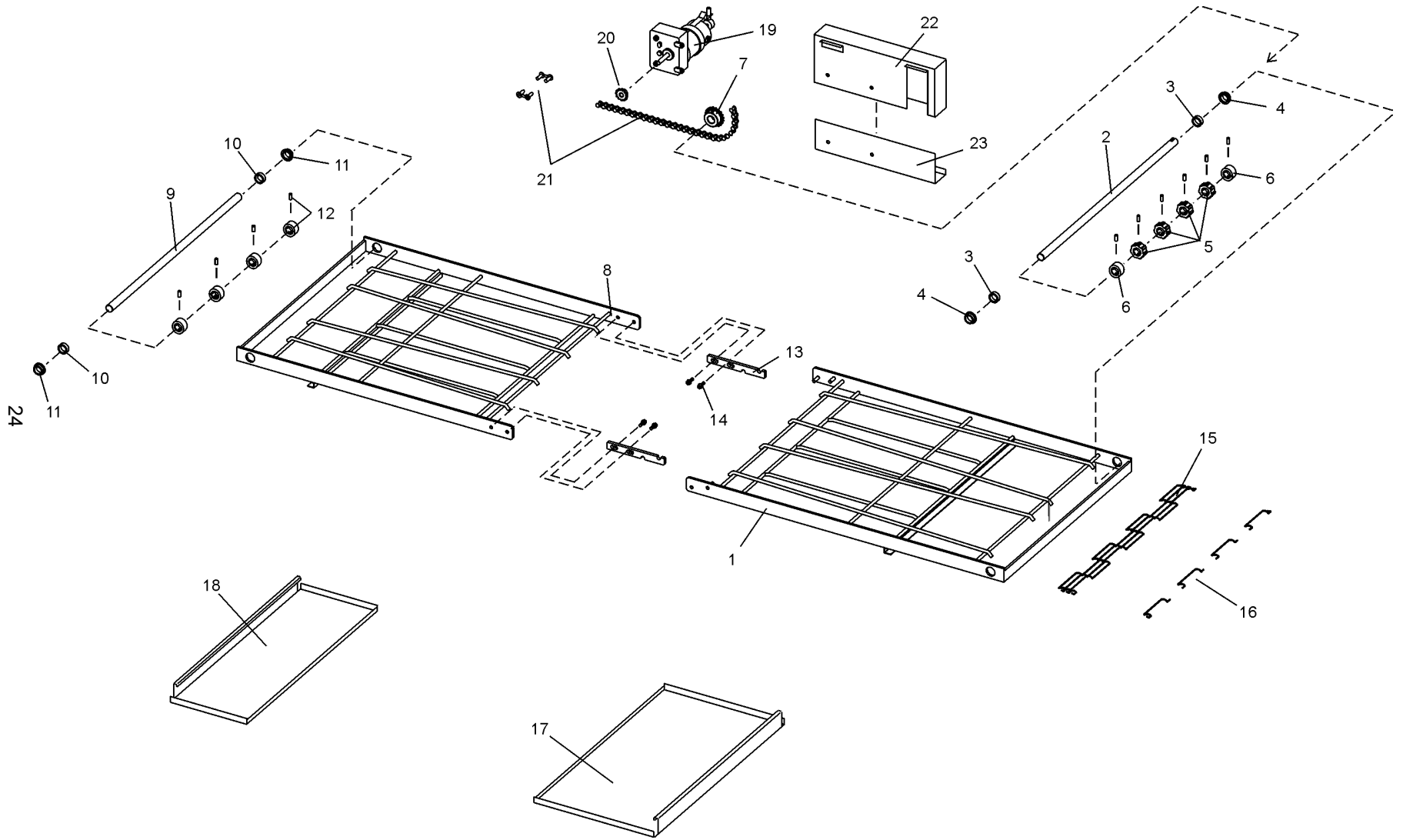
Original design produced 4/01-current. 1.52m long, folding, center tension adjustment

ITEM QTY.	P/N <i>Type 1</i>	P/N <i>Type 2</i>	DESCRIPTION	ITEM QTY.	P/N <i>Type 1</i>	P/N <i>Type 2</i>	DESCRIPTION
-- 1	--	--	CONVEYOR DRIVE SECTION	14 2	43009	45324	ADJUSTMENT BRACKET, CONVEYOR TENSION
1 1	44596	45317	CONVEYOR FRAME, DRIVE	15 A/R	A6153	A6153	SCREW, HEX HEAD 1/4"-20 X 1/2"
2a 1	44990	44990	CONVEYOR DRIVE SHAFT - FRONT	16 2	45352	45352	BELT, CONVEYOR (COMPLETE)
2b 1	45339	45339	CONVEYOR DRIVE SHAFT - REAR	17 1	45642	45642	KIT, MASTER LINKS
3 2	43275	43275	SPACER	18a 2	42899	42899	CRUMB TRAY (SOLID - FOR LOWER OR SINGLE OVEN CAVITY)
4 2	3100473	3100473	BUSHING, BRONZE, 3/4" OD X 5/8" ID	18b 2	44807	44807	CRUMB TRAY (PERFORATED - FOR ALL UPPER OVEN CAVITIES)
5 4	324503	324503	SPROCKET, CONVEYOR BELT - SER-RATED, WITH SET SCREW	19 1	43173	43173	CONVEYOR EXIT TRAY
6 2	325001	325001	SPROCKET, CONVEYOR BELT - SMOOTH-SURFACED, WITH SET SCREW	20 2	44695	44695	ASSEMBLY, CONVEYOR DRIVE MOTOR AND PICKUP
7a 2	42819	42819	SPROCKET, CONVEYOR DRIVE, 20T (STANDARD - FOR USE WITH ITEM 21a)	21a 2	34129	34129	SPROCKET, CONVEYOR DRIVE MOTOR, 12T (STANDARD - FOR USE WITH ITEM 7a)
7b 2	45015	45015	SPROCKET, CONVEYOR DRIVE, 16T (HIGH SPEED OPTION - FOR USE WITH ITEM 21b)	21b 2	45349	45349	SPROCKET, CONVEYOR DRIVE MOTOR, 25T (HIGH SPEED OPTION - FOR USE WITH ITEM 7b)
8 1	45337	45337	SPACER RING, OUTSIDE SPROCKET	22a 1	44705	44705	ASSEMBLY, DRIVE CHAIN WITH MASTER LINK - FOR FRONT CONVEYOR BELT
-- 1	--	--	CONVEYOR IDLER SECTION	22b 1	44987	44987	ASSEMBLY, DRIVE CHAIN WITH MASTER LINK - FOR REAR CONVEYOR BELT
9 1	44596	45316	CONVEYOR FRAME, IDLER	23a 1	45835	45835	CHAIN COVER, UPPER - OVENS WITH RIGHT-SIDE CONTROLS ONLY
10a 1	45353	45353	CONVEYOR IDLER SHAFT - FRONT	23b 1	<i>Not available</i>	<i>Not available</i>	CHAIN COVER, UPPER - OVENS WITH LEFT-SIDE CONTROLS ONLY
10b 1	43111	43111	CONVEYOR IDLER SHAFT - REAR	24a 1	45479	45479	CHAIN COVER, LOWER - OVENS WITH RIGHT-SIDE CONTROLS ONLY
11 2	43275	43275	SPACER	24b 1	<i>Not available</i>	<i>Not available</i>	CHAIN COVER, LOWER - OVENS WITH LEFT-SIDE CONTROLS ONLY
12 2	3100473	3100473	BUSHING, BRONZE, 3/4" OD X 5/8" ID				
13 6	325001	325001	SPROCKET, CONVEYOR BELT - SMOOTH-SURFACED, WITH SET SCREW				

23



PS536
Europe



XII. BAR-FRAME SINGLE-BELT CONVEYOR, 56"/1.42m (PIZZA HUT)

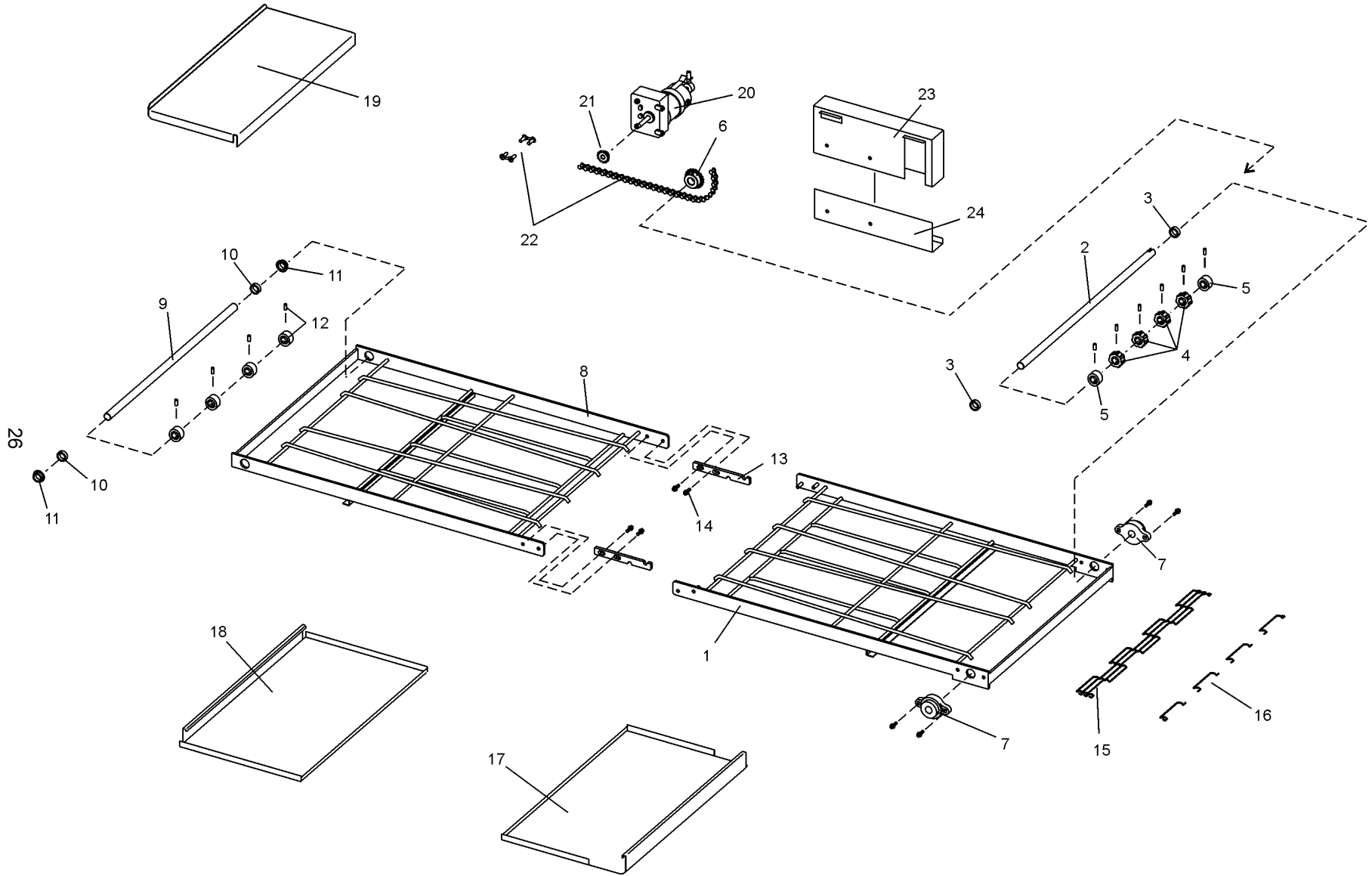
Produced 10/01-current. 1.42m long, folding, center tension adjustment

ITEM QTY.	P/N	DESCRIPTION	Type 2		ITEM QTY.	P/N	DESCRIPTION	Type 1	Type 2
--	1	--	CONVEYOR DRIVE SECTION		13	2	45324	ADJUSTMENT BRACKET, CONVEYOR TENSION	
1	1	45317	CONVEYOR FRAME, DRIVE		14	A/R	A6153	SCREW, HEX HEAD 1/4"-20 X 1/2"	
2	1	42815	CONVEYOR DRIVE SHAFT		15	1	44690	BELT, CONVEYOR (COMPLETE)	
3	2	43275	SPACER		16	1	45642	KIT, MASTER LINKS	
4	2	3100473	BUSHING, BRONZE, 3/4" OD X 5/8" ID		17	1	42899	CRUMB TRAY (SOLID), DRIVE END	
5	4	324503	SPROCKET, CONVEYOR BELT - SER-RATED, WITH SET SCREW		18	1	46484	CRUMB TRAY (SOLID), IDLER END	
6	2	325001	SPROCKET, CONVEYOR BELT - SMOOTH-SURFACED, WITH SET SCREW		19	1	44695	ASSEMBLY, CONVEYOR DRIVE MOTOR AND PICKUP	
7	1	42819	SPROCKET, CONVEYOR DRIVE, 20T		20	1	34129	SPROCKET, CONVEYOR DRIVE MOTOR, 12T	
--	1	--	CONVEYOR IDLER SECTION		21	1	44705	ASSEMBLY, DRIVE CHAIN WITH MASTER LINK	
8	1	46483	CONVEYOR FRAME, IDLER		22a	1	45835	CHAIN COVER, UPPER - OVENS WITH RIGHT-SIDE CONTROLS ONLY	
9	1	42814	CONVEYOR IDLER SHAFT		22b	1	<i>Not available</i>	CHAIN COVER, UPPER - OVENS WITH LEFT-SIDE CONTROLS ONLY	
10	2	43275	SPACER		23a	1	45479	CHAIN COVER, LOWER - OVENS WITH RIGHT-SIDE CONTROLS ONLY	
11	2	3100473	BUSHING, BRONZE, 3/4" OD X 5/8" ID		23b	1	<i>Not available</i>	CHAIN COVER, LOWER - OVENS WITH LEFT-SIDE CONTROLS ONLY	
12	4	325001	SPROCKET, CONVEYOR BELT - SMOOTH-SURFACED, WITH SET SCREW						

25



PS536
Europe



XIII. BAR-FRAME SINGLE-BELT CONVEYOR, 60"/1.52m, WITH EXTERNAL BEARINGS (SCHLOTSKY'S DELI)

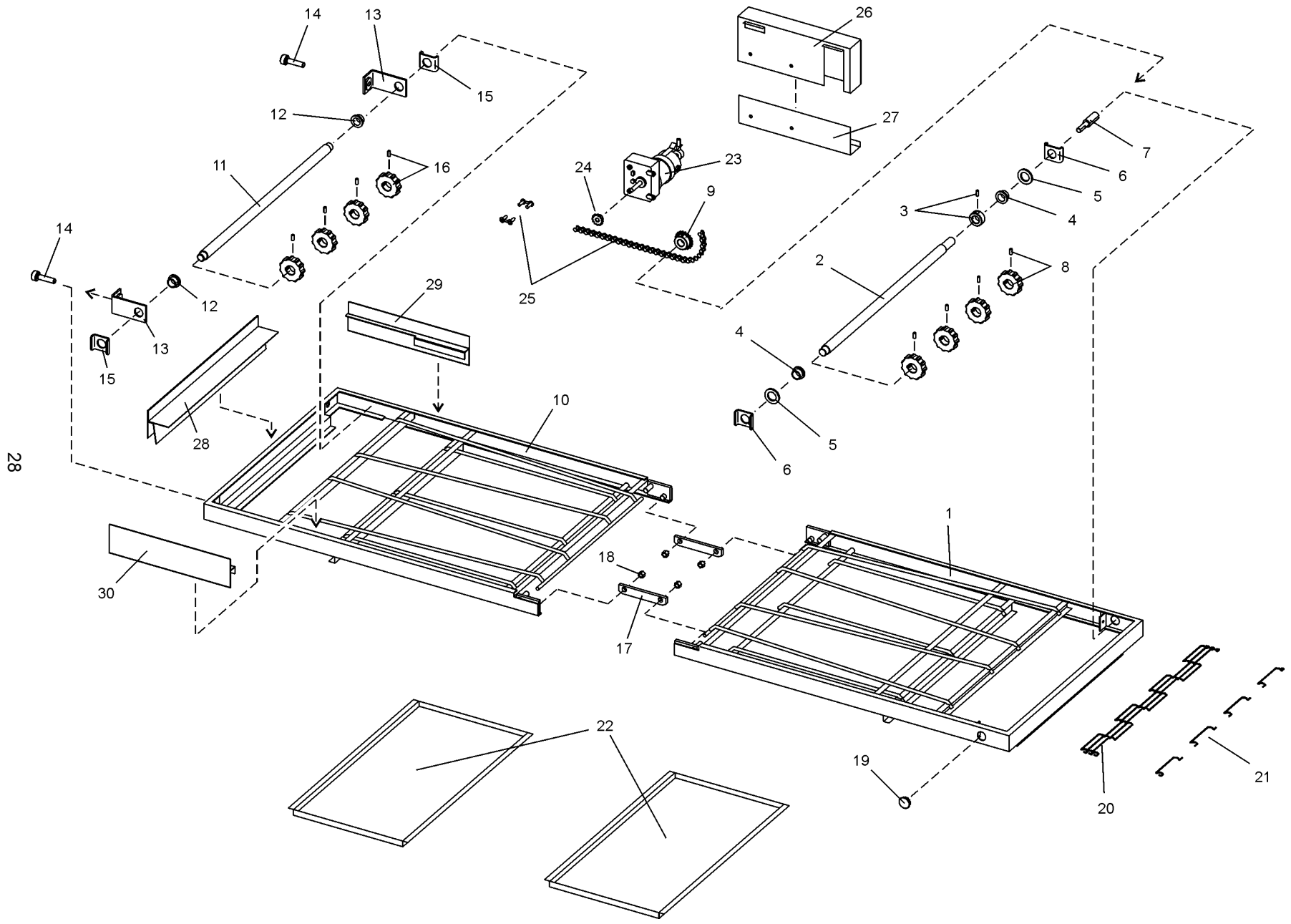
Produced 3/01-current. 1.52m long, folding, center tension adjustment, external bearings

ITEM	QTY.	P/N	DESCRIPTION	ITEM	QTY.	P/N	DESCRIPTION
--	1	--	CONVEYOR DRIVE SECTION	13	2	45324	ADJUSTMENT BRACKET, CONVEYOR TENSION
1	1	45378	CONVEYOR FRAME, DRIVE	14	A/R	A6153	SCREW, HEX HEAD 1/4"-20 X 1/2"
2	1	45375	CONVEYOR DRIVE SHAFT	15	1	44690	BELT, CONVEYOR (COMPLETE)
3	2	43275	SPACER	16	1	45642	KIT, MASTER LINKS
4	4	324503	SPROCKET, CONVEYOR BELT - SER-RATED, WITH SET SCREW	17	2	45376	CRUMB TRAY (SOLID), DRIVE END
5	2	325001	SPROCKET, CONVEYOR BELT - SMOOTH-SURFACED, WITH SET SCREW	18	1	42899	CRUMB TRAY (SOLID), IDLER END
6	1	45015	SPROCKET, CONVEYOR DRIVE, 16T	19	1	43173	CONVEYOR EXIT TRAY
7	2	45377	BEARING	20	1	44695	ASSEMBLY, CONVEYOR DRIVE MOTOR AND PICKUP
--	1	--	CONVEYOR IDLER SECTION	21	1	45349	SPROCKET, CONVEYOR DRIVE MOTOR, 25T
8	1	45316	CONVEYOR FRAME, IDLER	22	1	44705	ASSEMBLY, DRIVE CHAIN WITH MASTER LINK
9	1	42814	CONVEYOR IDLER SHAFT	23a	1	45835	CHAIN COVER, UPPER - OVENS WITH RIGHT-SIDE CONTROLS ONLY
10	2	43275	SPACER	23b	1	<i>Not available</i>	CHAIN COVER, UPPER - OVENS WITH LEFT-SIDE CONTROLS ONLY
11	2	3100473	BUSHING, BRONZE, 3/4" OD X 5/8" ID	24a	1	45479	CHAIN COVER, LOWER - OVENS WITH RIGHT-SIDE CONTROLS ONLY
12	4	325001	SPROCKET, CONVEYOR BELT - SMOOTH-SURFACED, WITH SET SCREW	24b	1	<i>Not available</i>	CHAIN COVER, LOWER - OVENS WITH LEFT-SIDE CONTROLS ONLY

27



PS536
Europe



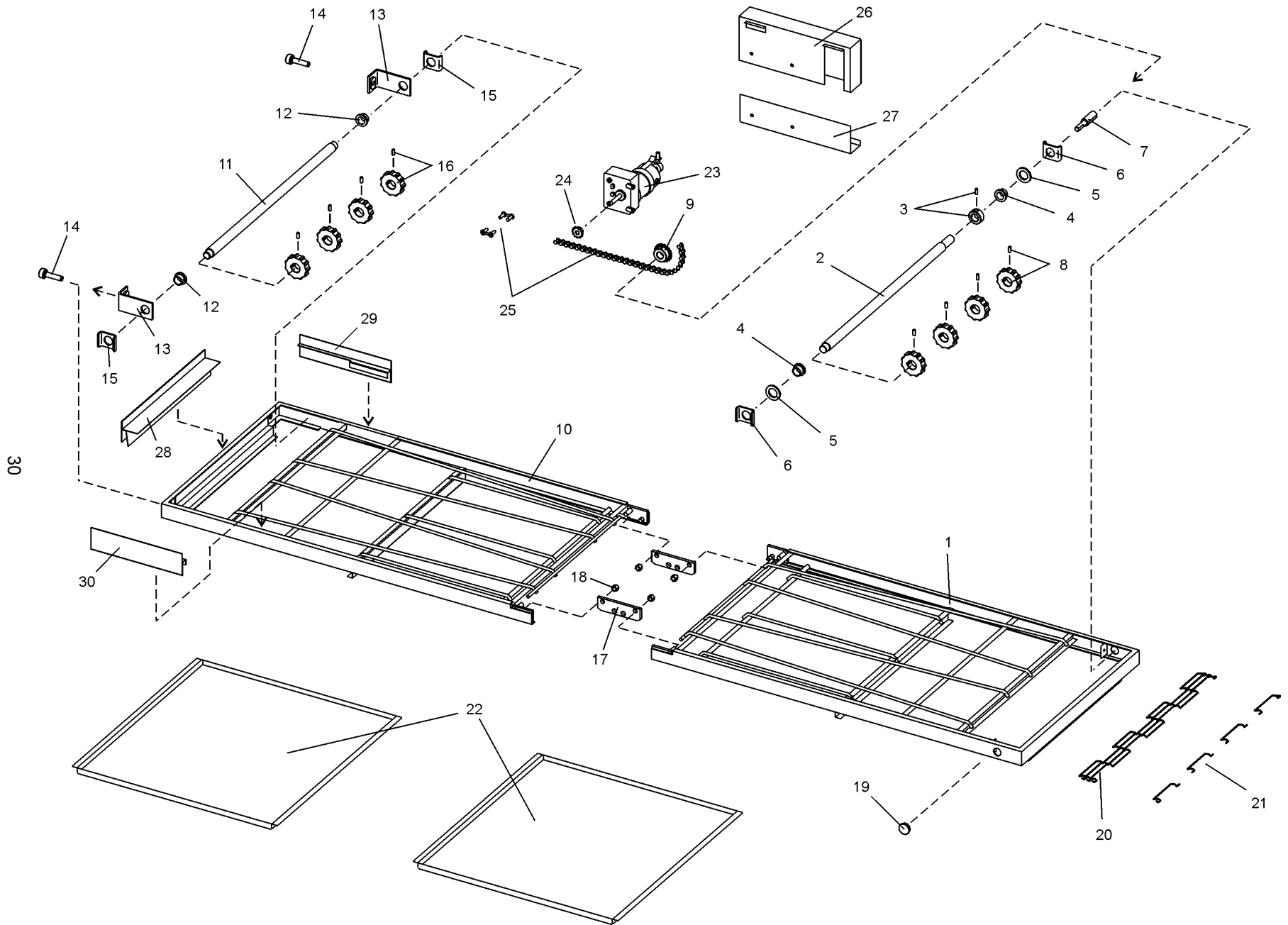
XIV. "C" CHANNEL-FRAME SINGLE-BELT CONVEYOR, 60"/1.52m (OLIVE GARDEN OR CURRENT STANDARD)

Produced 4/01-current. 1.52m long, folding, endplate thumbscrew tension adjustment

ITEM	QTY.	P/N	DESCRIPTION
--	1	--	CONVEYOR DRIVE SECTION
1	1	45558	CONVEYOR FRAME, DRIVE
2	1	45541	CONVEYOR DRIVE SHAFT
3	2	22011-0013	COLLAR, SHAFT, WITH SET SCREW
4	2	22034-0003	BUSHING, FLANGED 3/4" OD x 5/8" ID
5	2	35000-1080	SPACER, NYLON 1-1/4" OD x 3/4" ID
6	2	35900-0020	BRACKET, CONVEYOR SHAFT SUPPORT
7	1	35000-1013	ADAPTER, DRIVE SHAFT
8	4	22229-0003	SPROCKET, CONVEYOR BELT, WITH SET SCREW
29	9	42819	SPROCKET, CONVEYOR DRIVE, 20T
--	1	--	CONVEYOR IDLER SECTION
10	1	45559	CONVEYOR FRAME, IDLER
11	1	45539	CONVEYOR IDLER SHAFT
12	2	22034-0003	BUSHING, FLANGED 3/4" OD x 5/8" ID
13	2	37000-0413	BRACKET, IDLER TENSIONING
14	2	35000-1008	SCREW, IDLER TENSIONING
15	2	35900-0020	BRACKET, CONVEYOR SHAFT SUPPORT
16	4	22229-0003	SPROCKET, CONVEYOR BELT, WITH SET SCREW

ITEM	QTY.	P/N	DESCRIPTION
17	2	35900-0398	PIVOT PLATE
18	4	21176-0002	HEX LOCKNUT, 3/8"-16
19	1	27413-0002	PLUG, 3/4"
20	1	45581	BELT, CONVEYOR (COMPLETE)
21	1	45641	KIT, MASTER LINKS
22	2	45537	CRUMB TRAY
23	1	44695	ASSEMBLY, CONVEYOR DRIVE MOTOR AND PICKUP
24	1	34129	SPROCKET, CONVEYOR DRIVE MOTOR, 12T
25	1	44705	ASSEMBLY, DRIVE CHAIN WITH MASTER LINK
26a	1	45835	CHAIN COVER, UPPER - OVENS WITH RIGHT-SIDE CONTROLS ONLY
26b	1	<i>Not available</i>	CHAIN COVER, UPPER - OVENS WITH LEFT-SIDE CONTROLS ONLY
27a	1	45479	CHAIN COVER, LOWER - OVENS WITH RIGHT-SIDE CONTROLS ONLY
27b	1	<i>Not available</i>	CHAIN COVER, LOWER - OVENS WITH LEFT-SIDE CONTROLS ONLY
28	1	46691	END STOP
29	A/R	30830	BACK STOP - LEFT END OR FRONT STOP - RIGHT END
30	A/R	30796	BACK STOP - RIGHT END OR FRONT STOP - LEFT END

PS536
Europe



XV. "C" CHANNEL-FRAME SINGLE-BELT CONVEYOR, 76"/1.93m (McDONALD'S OR 76" STANDARD)

Produced 4/01-current. 1.93m long, non-folding after assembly, endplate thumbscrew tension adjustment

ITEM	QTY.	P/N	DESCRIPTION	ITEM	QTY.	P/N	DESCRIPTION
--	1	--	CONVEYOR DRIVE SECTION	17	2	45582	LOCKING PLATE
1	1	45568	CONVEYOR FRAME, DRIVE	18	4	21176-0002	HEX LOCKNUT, 3/8"-16
2	1	45541	CONVEYOR DRIVE SHAFT	19	1	27413-0002	PLUG, 3/4"
3	2	22011-0013	COLLAR, SHAFT, WITH SET SCREW	20	1	45609	BELT, CONVEYOR (COMPLETE)
4	2	22034-0003	BUSHING, FLANGED 3/4" OD x 5/8" ID	21	1	45641	KIT, MASTER LINKS
5	2	35000-1080	SPACER, NYLON 1-1/4" OD x 3/4" ID	22	2	45537	CRUMB TRAY
6	2	35900-0020	BRACKET, CONVEYOR SHAFT SUPPORT	23	1	44695	ASSEMBLY, CONVEYOR DRIVE MOTOR AND PICKUP
7	1	35000-1013	ADAPTER, DRIVE SHAFT	24	1	34129	SPROCKET, CONVEYOR DRIVE MOTOR, 12T
8	4	22229-0003	SPROCKET, CONVEYOR BELT, WITH SET SCREW	25	1	45640	ASSEMBLY, DRIVE CHAIN WITH MASTER LINK
31	9	42819	SPROCKET, CONVEYOR DRIVE, 20T	26a	1	<i>Not available</i>	CHAIN COVER, UPPER - OVENS WITH RIGHT-SIDE CONTROLS ONLY
--	1	--	CONVEYOR IDLER SECTION	26b	1	<i>Not available</i>	CHAIN COVER, UPPER - OVENS WITH LEFT-SIDE CONTROLS ONLY
10	1	45569	CONVEYOR FRAME, IDLER	27a	1	<i>Not available</i>	CHAIN COVER, LOWER - OVENS WITH RIGHT-SIDE CONTROLS ONLY
11	1	45539	CONVEYOR IDLER SHAFT	27b	1	<i>Not available</i>	CHAIN COVER, LOWER - OVENS WITH LEFT-SIDE CONTROLS ONLY
12	2	22034-0003	BUSHING, FLANGED 3/4" OD x 5/8" ID	28	1	46691	END STOP
13	2	37000-0413	BRACKET, IDLER TENSIONING	29	A/R	30830	BACK STOP - LEFT END OR FRONT STOP - RIGHT END
14	2	35000-1008	SCREW, IDLER TENSIONING	30	A/R	30796	BACK STOP - RIGHT END OR FRONT STOP - LEFT END
15	2	35900-0020	BRACKET, CONVEYOR SHAFT SUPPORT				
16	4	22229-0003	SPROCKET, CONVEYOR BELT, WITH SET SCREW				

**PS536
Europe**

WARNING

Improper installation, adjustment, alteration, service or maintenance can cause property damage, injury or death. Read the installation, operating and maintenance instructions thoroughly before installing or servicing this equipment.

NOTICE

During the warranty period, ALL parts replacement and servicing should be performed by your Middleby Marshall Authorized Service Agent. Service that is performed by parties other than your Middleby Marshall Authorized Service Agent may void your warranty.

NOTICE

Using any parts other than genuine Middleby Marshall factory manufactured parts relieves the manufacturer of all warranty and liability.

NOTICE

Middleby Marshall reserves the right to change specifications at any time.

PS536
Europe

Middleby Cooking Systems Group • 1400 Toastmaster Drive • Elgin, IL 60120 • USA • (847)741-3300 • FAX (847)741-4406
24-Hour Service Hotline: 1-(800)-238-8444

www.middleby.com

