



**IMPORTANT FOR FUTURE REFERENCE**

Please complete this information and retain this manual for the life of the equipment:

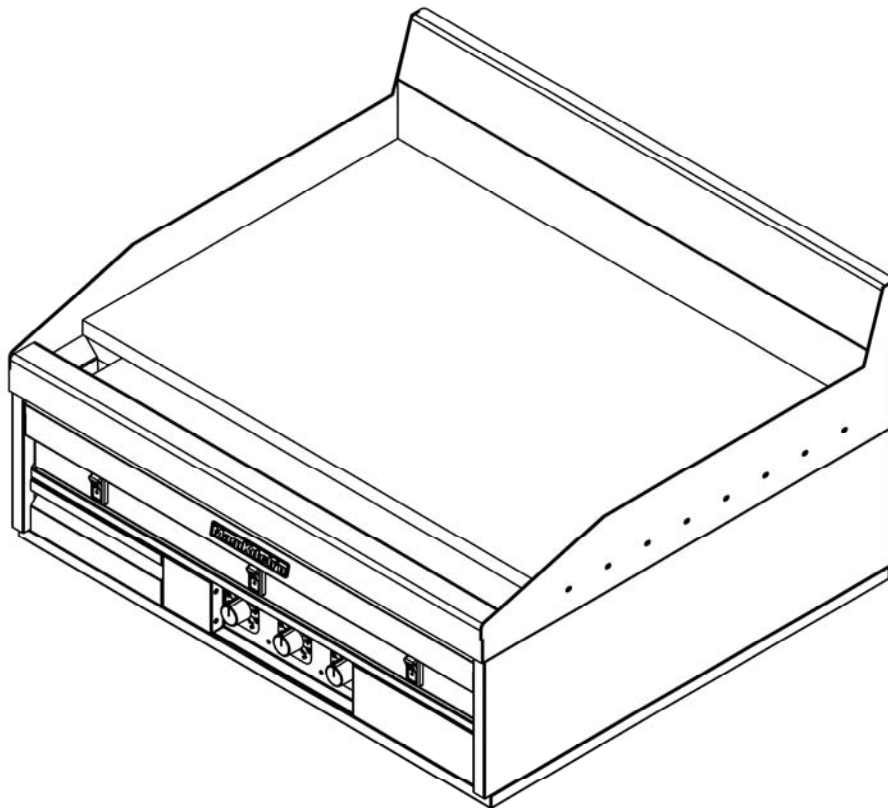
Model #: \_\_\_\_\_

Serial #: \_\_\_\_\_

Date Purchased: \_\_\_\_\_

## Exploded Parts Manual

MKE: MagiKitch'n Electric Griddle  
March 2011



## WARNING

DO NOT store or use gasoline or other flammable vapors and liquids in the vicinity of this or any other appliance.

## WARNING

Improper installation, alteration, service or maintenance can cause property damage, injury or death. Read the installation, operating and maintenance instructions thoroughly before installing or servicing this appliance.

## WARNING

Installation, maintenance and repairs should be performed by a MagiKitch'n Authorized Service and Parts (ASAP) company technician or other qualified personnel. Installation, maintenance or repairs by an unauthorized and unqualified personnel will void the warranty.

## WARNING

Installation and all connections must be made according to national and local regulations and codes in force.

## WARNING

A country approved all pole circuit breaker with a minimum open contact gap of 3mm must be used for proper installation. (CE countries)

## WARNING

During the warranty period if a customer elects to use a non-original part or modifies an original part purchased from MagiKitch'n and/or its Authorized Service and Parts (ASAP) companies, this warranty will be void. In addition, MagiKitch'n and its affiliates will not be liable for any claims, damages or expenses incurred by the customer which arises directly or indirectly, in whole or in part, due to the installation of any modified part and/or received from an unauthorized service center.

## WARNING

This appliance, when installed, must be electrically grounded in accordance with local codes, or in the absence of local codes, with the National Electrical Code, ANSI/NFPA 70, or the Canadian Electrical Code, CSA C22.2, as applicable.

## WARNING

Adequate means must be provided to LIMIT the movement of this appliance without depending on the electrical cord connection. Single appliances equipped with legs must be stabilized by installing anchor straps. All appliances equipped with casters must be stabilized by installing restraining chains.

## WARNING

DO NOT alter or remove structural material on the appliance to accommodate placement under a ventilation hood.

## WARNING

This appliance is intended for professional use only and should be operated by fully trained and qualified personnel.

## WARNING

If the supplied power cord is damaged, it must be replaced by a MagiKitch'n Authorized Service and Parts (ASAP) company technician, or a similarly qualified person in order to avoid a hazard.

## WARNING

The power supply must be disconnected before servicing, maintaining or cleaning this appliance.

## WARNING

The appliance is NOT jet stream approved. DO NOT clean the appliance with a water jet.

## WARNING

DO NOT attempt to move this appliance or transfer hot liquids from one container to another when the unit is at operating temperature or filled with hot liquids. Serious personal injury could result if skin comes in contact with the hot surfaces or liquids.

## WARNING

DO NOT sit or stand on this appliance. The appliance's front panel, cook plate, splash back, side, workshelf not a step. Serious injury could result from slipping, falling or contact with hot surfaces or liquids.

## WARNING

NEVER use the appliance as a step for cleaning or accessing the ventilation hood. Serious injury could result from slips, trips or from contacting hot surfaces or liquids.

## WARNING

DO NOT use the appliance unless it is properly secured to a table, stand or freezer / refrigerated base suited to handle the weight of the entire appliance.

## WARNING

DO NOT operate appliance unless all panels and access covers are attached correctly.

## WARNING

It is recommended that this appliance be inspected by a qualified service technician for proper performance and operation on a yearly basis.

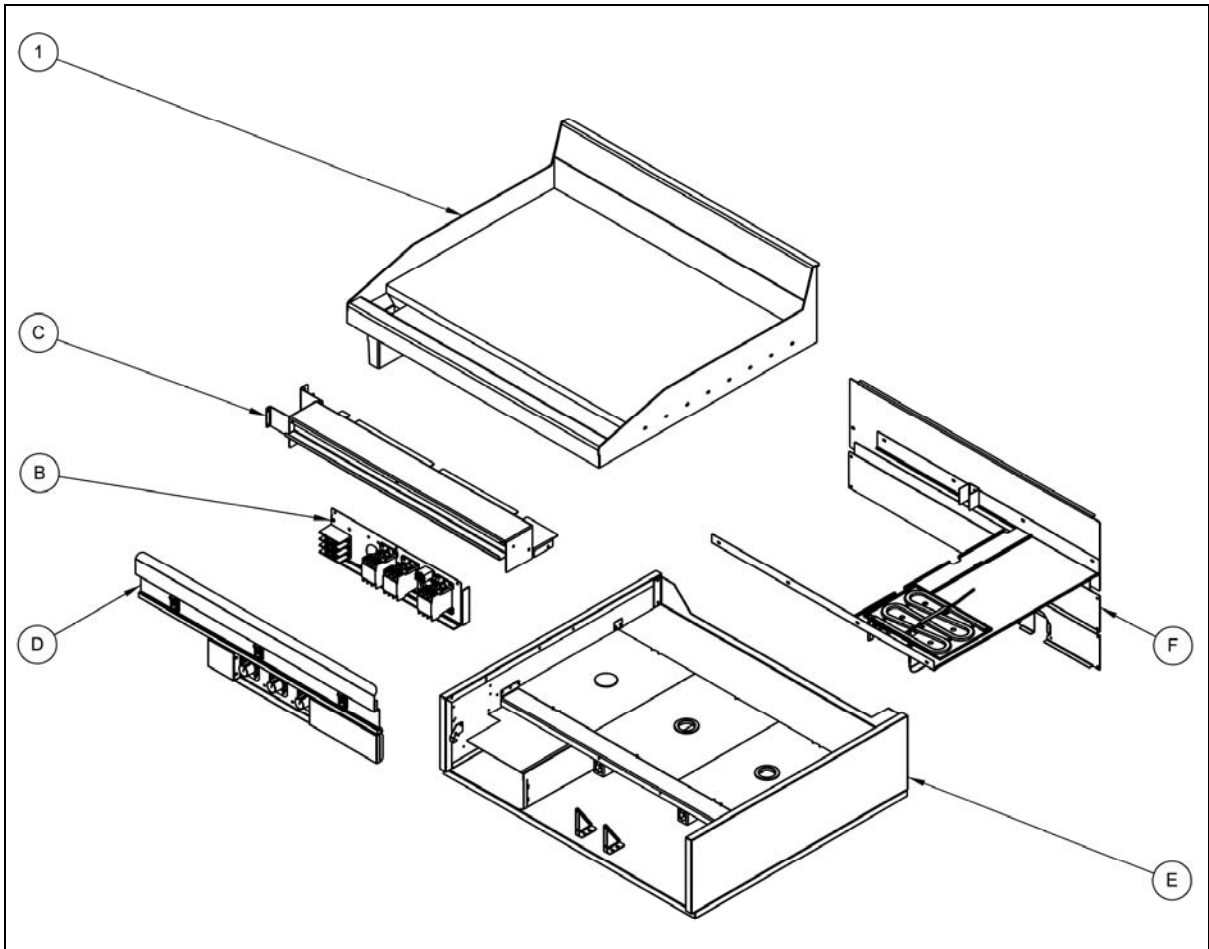
<b>MKE EXPLODED.....</b>	<b>3</b>
MKE Exploded Parts List .....	3
MKE Exploded Drawing .....	4
<b>SECTION B: COMPONENT PANEL .....</b>	<b>5</b>
Component Panel Drawing B Parts List .....	5
Component Panel Drawing B .....	6
<b>SECTION C: COMPONENT HEAT SHIELD .....</b>	<b>7</b>
Component Heat Shield Drawing C Parts List .....	7
Component Heat Shield Drawing C .....	8
<b>SECTION D: SWITCH PANEL .....</b>	<b>9</b>
Switch Panel Drawing D Parts List .....	9
Switch / Control Panel Drawing D .....	10
<b>SECTION E: CABINET .....</b>	<b>11</b>
Cabinet Parts list E .....	11
Cabinet Drawing E .....	12
<b>SECTION F: ELEMENTS, UPPER HEAT SHIELD, AND CABINET BACKS.....</b>	<b>13</b>
Elements, Upper Heat Shield, and Cabinet Backs Drawing F Parts List .....	13
Elements, Upper Heat Shield, and Cabinet Backs Drawing F .....	14

# MKE Exploded

## MKE Exploded Parts List

ITEM #	P/N	DESC.	QUANTITY							
			MKE24	MKE36	MKE48	MKE60	MKE72	FG-MKE36	FG-MKE48	FG-MKE60
1 <sub>1</sub>	5125-1557801-C	TOP WELDMENT MKE24	1							
	5125-1557802-C	TOP WELDMENT MKE36		1						
	5125-1557803-C	TOP WELDMENT MKE48			1					
	5125-1557804-C	TOP WELDMENT MKE60				1				
	5125-1557805-C	TOP WELDMENT MKE72					1			
1 <sub>2</sub>	5125-1557806-C	TOP WELDMENT MKE24 CHROME	1							
	5125-1557807-C	TOP WELDMENT MKE36 CHROME		1						
	5125-1557808-C	TOP WELDMENT MKE48 CHROME			1					
	5125-1557809-C	TOP WELDMENT MKE60 CHROME				1				
	5125-1557810-C	TOP WELDMENT MKE72 CHROME					1			
1 <sub>3</sub>	5125-1557902-C	TOP WELDMENT 36 CHROME LH TRH						1		
	5125-1557903-C	TOP WELDMENT48 CHROME LH TRH							1	
	5125-1557904-C	TOP WELDMENT60 CHROME LH TRH								1
B <sub>1</sub>	SEE SECTION B	CONTACTOR ASS'Y 2 ZONE SOLID STATE	1		2	1			2	1
		CONTACTOR ASS'Y 3 ZONE SOLID STATE		1		1	2	1		1
B <sub>2</sub>		CONTACTOR ASS'Y 2 ZONE ELEC. TSTAT	1		2	1				
		CONTACTOR ASS'Y 3 ZONE ELEC. TSTAT		1		1	2			
C	SEE SECTION C: COMPONENT HEAT SHIELD		ONE PER UNIT							
D	SEE SECTION D: FRONT PANELS		ONE PER UNIT							
E	SEE SECTION E: CABINET		ONE PER UNIT							
F	SEE SECTION F: ELEMENTS, UPPER HS AND CAB BACKS		ONE PER UNIT							

# MKE Exploded Drawing

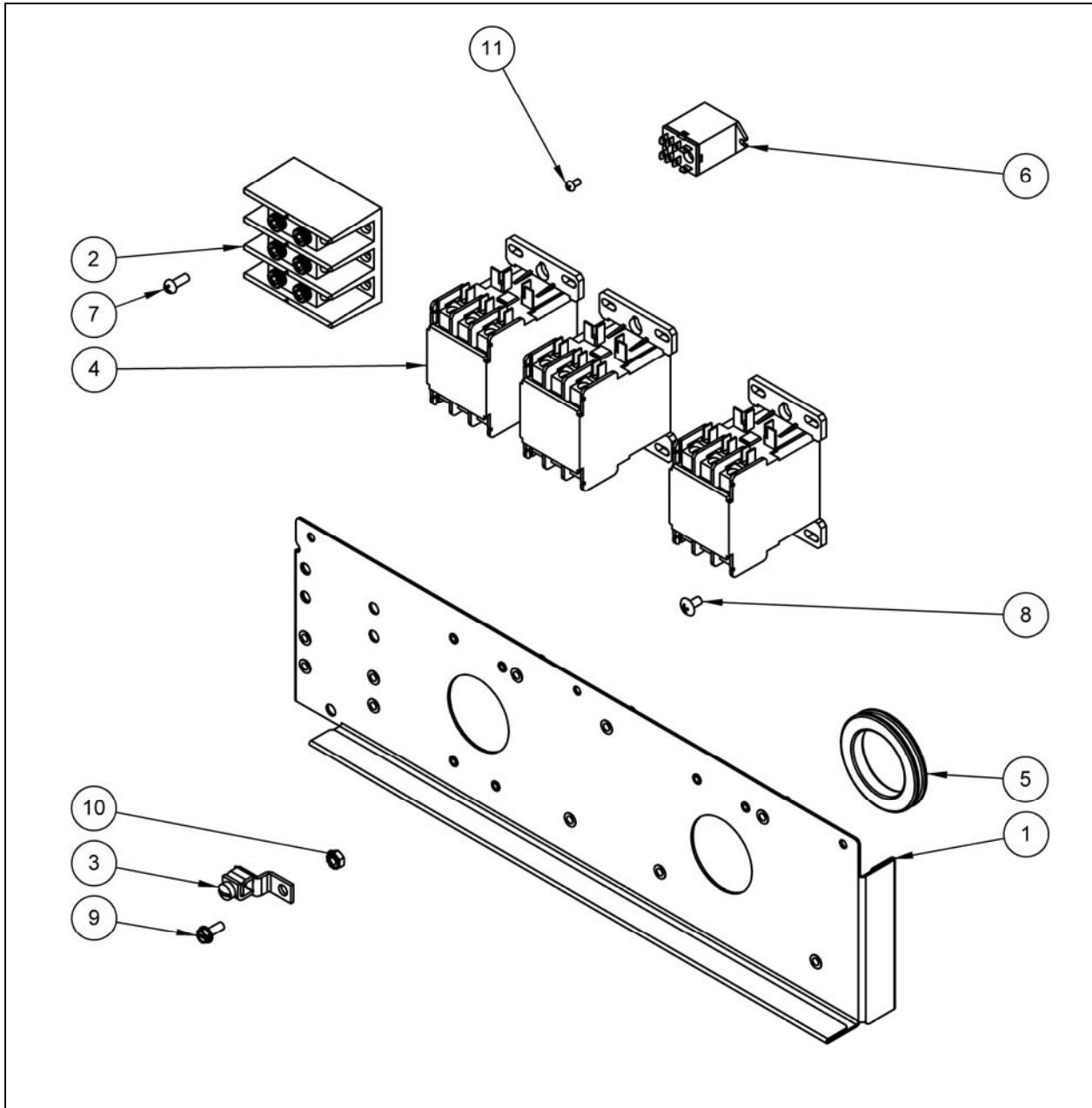


## SECTION B: Component Panel

### Component Panel Drawing B Parts List

ITEM #	P/N	DESCRIPTION	QUANTITY			
			3 ZONE SST	2 ZONE SST	3 ZONE E TSTAT	2 ZONE E TSTAT
1	5425-1554801-C	CONTACTOR BRACKET 3ZONE	1		1	
	5425-1554803-C	CONTACTOR BRACKET 2ZONE		1		1
2	P5047301	BLOCK, TERMINAL 3 POST	1	1	1	1
3	60145301	LUG, GROUND ALUMINUM	1	1	1	1
4	60157202	CONTACTOR, DP 3P 50A 600V 24V	3	2	3	2
5	P6071228	GROMMET, 1.703ID, 2.000 GROOVE	2	1	2	1
6	P5046686	RELAY, 24VAC DPDT W/ TABS			3	2
7	PP11222	SCREW, 10-24X .500 RH PH ZN	4	4	4	4
8	PP10693	SCREW, 10-24X .375 TH PH ZN	6	4	6	4
9	P0075400	SCREW, 10-24X .500 SELF TAP	1	1	1	1
10	P0092300	NUT, HEX KEP 10-24 ZN	1	1	1	1
11	PP10686	SCREW, 6-32X .25 RH PH ZN			6	4

### Component Panel Drawing B



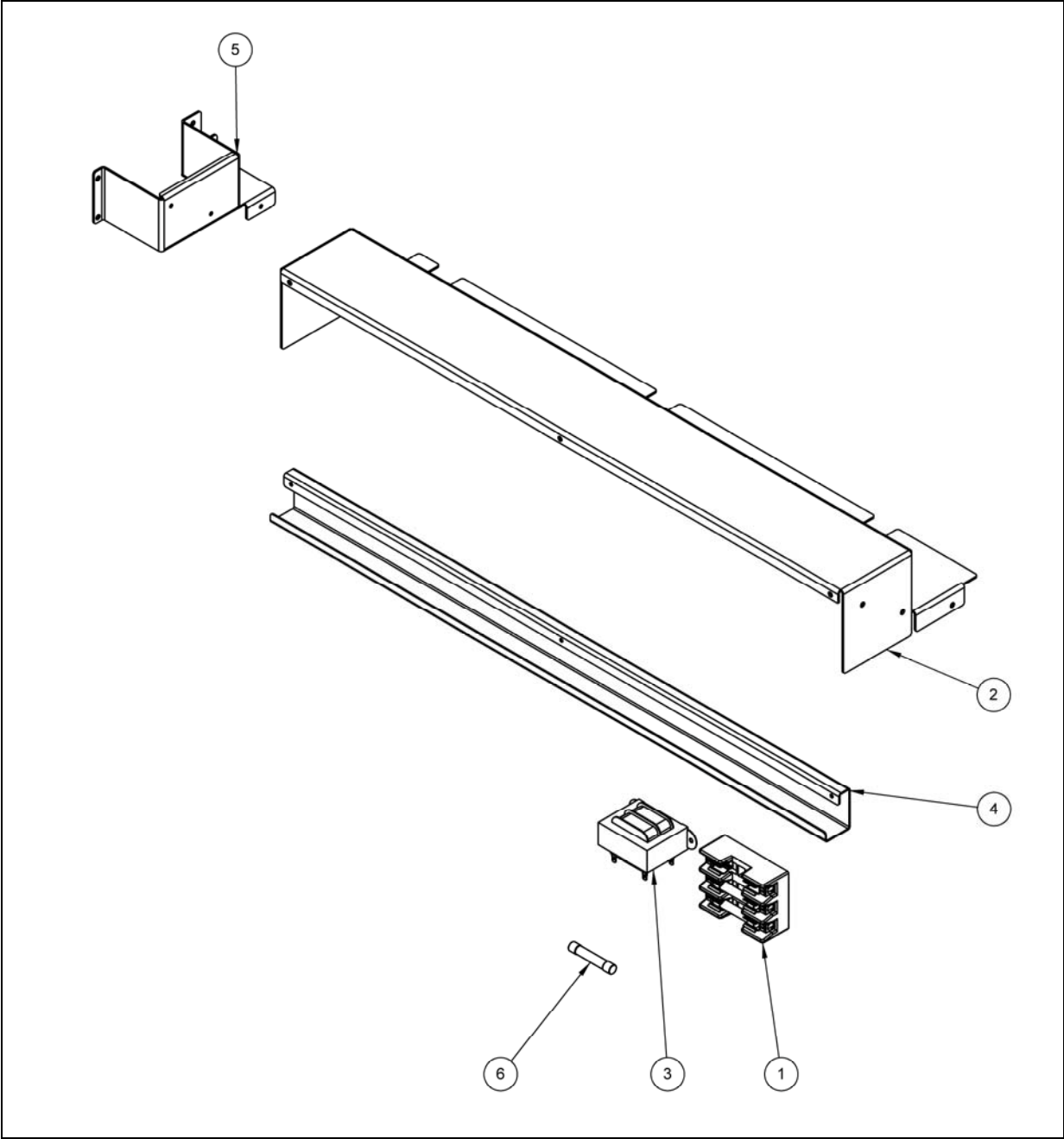
## SECTION C: Component Heat Shield

### Component Heat Shield Drawing C Parts List

#	P/N	DESCRIPTION	QUANTITY							
			MKE24	MKE36	MKE48	MKE60	MKE72	FG-MKE36	FG-MKE48	FG-MKE60
1	P5045792	FUSEBLOCK, 3 POST 300V 60A	2	2	4	4	4	2	4	4
2	5425-1554202-C	HEAT SHIELD COMPONENT 24	1							
	5425-1554204-C	HEAT SHIELD COMPONENT 36		1				1		
	5425-1554206-C	HEAT SHIELD COMPONENT 48			1				1	
	5425-1554208-C	HEAT SHIELD COMPONENT 60				1				1
	5425-1554210-C	HEAT SHIELD COMPONENT 72					1			
3	PP10210	TRANSFORMER, 40VA 120-208-240 TO 24	2	3	4	5	6	3	4	5
4	5425-1555801-C	HEAT SHIELD, SWITCH PANEL BRACKET 24	1							
	5425-1555803-C	HEAT SHIELD, SWITCH PANEL BRACKET 36		1				1		
	5425-1555805-C	HEAT SHIELD, SWITCH PANEL BRACKET 48			1				1	
	5425-1555807-C	HEAT SHIELD, SWITCH PANEL BRACKET 60				1				1
	5425-1555809-C	HEAT SHIELD, SWITCH PANEL BRACKET 72					1			
5	5425-1556201-C	HEAT SHIELD, END LEFT	1	1	1	1	1	1	1	1
	5425-1556203-C	HEAT SHIELD, END RIGHT					1			
6	P5045701	FUSE, 40A SLOW BLOW	6	6	12	12	12	6	12	12



Component Heat Shield Drawing C

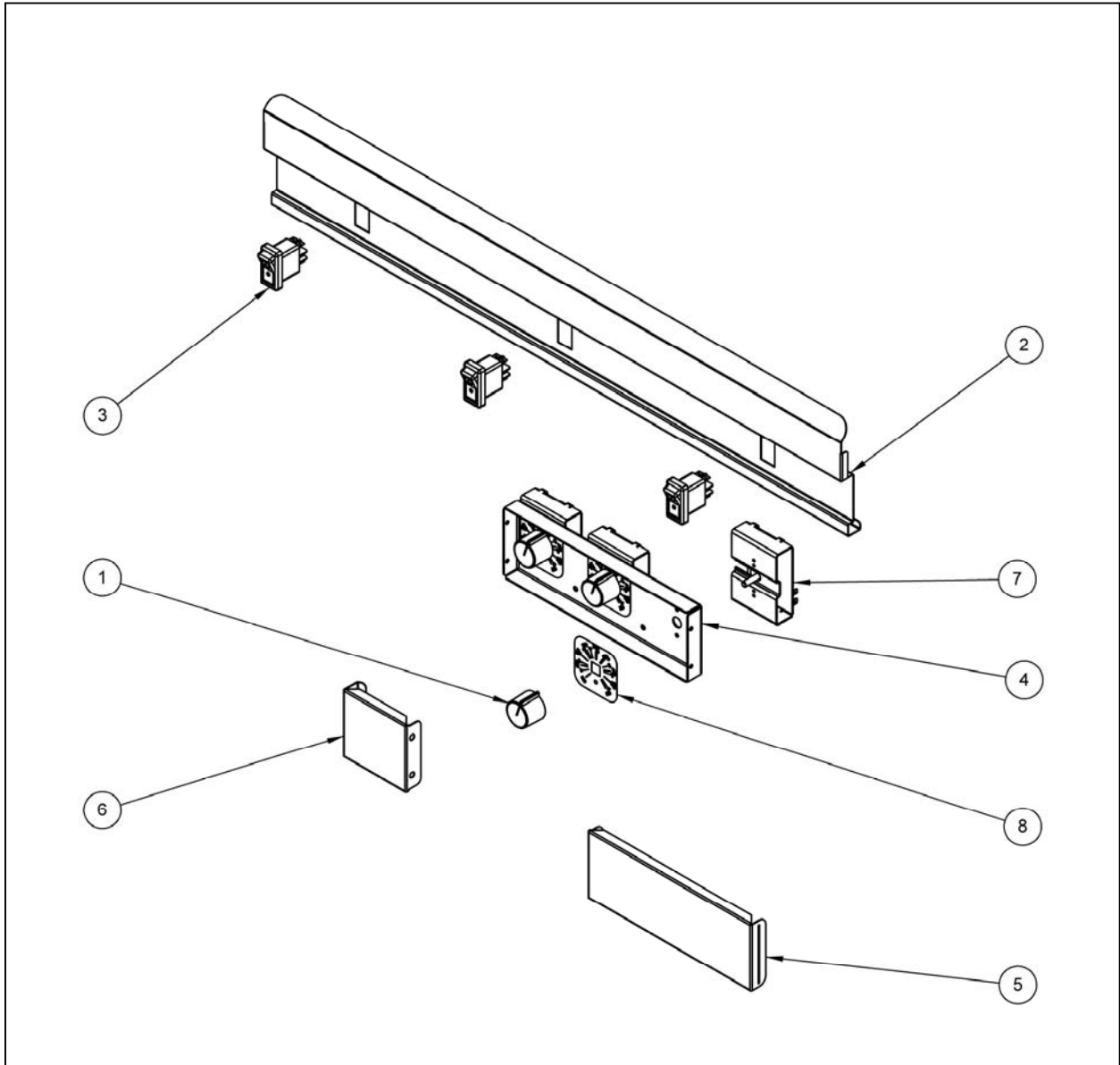


# SECTION D: Switch Panel

## Switch Panel Drawing D Parts List

#	PART NUMBER	DESCRIPTION	QUANTITY													
			MKE24	MKE36	MKE48	MKE60	MKE72	FG-MKE36	FG-MKE48	FG-MKE60	MKE24 E-TSTAT	MKE36 E-TSTAT	MKE48 E-TSTAT	MKE60 E-TSTAT	MKE72 E-TSTAT	
1	60129403	KNOB,COLLET .25" W/PNTR&CAP	2	3	4	5	6	3	4	5						
2	5425-1554202-C	SWITCH PANEL MKE24	1								1					
	5425-1554204-C	SWITCH PANEL MKE36		1								1				
	5425-1554206-C	SWITCH PANEL MKE48			1								1			
	5425-1554208-C	SWITCH PANEL MKE60				1								1		
	5425-1554210-C	SWITCH PANEL MKE72					1								1	
	5425-1554214-C	SWITCH PANEL FG-MKE36						1								
	5425-1554216-C	SWITCH PANEL FG-MKE48							1							
	5425-1554218-C	SWITCH PANEL FG-MKE60								1						
3	60172301	SWITCH, 24VDC DPDT	2	3	4	5	6	3	4	5	2	3	4	5	6	
4	5425-1548401-C	CONTROL MOUNTING BRACKET 24	1								1					
	5425-1548402-C	CONTROL MOUNTING BRACKET 36		1				1				1				
	5425-1548403-C	CONTROL MOUNTING BRACKET 48			1				1				1			
	5425-1548404-C	CONTROL MOUNTING BRACKET 60				1				1				1		
	5425-1548405-C	CONTROL MOUNTING BRACKET 72					1								1	
5	5425-1519102-C	LOWER FRONT PANEL RIGHT	1								1					
	5425-1519104-C	LOWER FRONT PANEL RIGHT		1				1				1				
	5425-1519106-C	LOWER FRONT PANEL RIGHT			1				1				1			
	5425-1519108-C	LOWER FRONT PANEL RIGHT				1				1				1		
6	5425-1519101-C	LOWER FRONT PANEL LEFT	1								1					
	5425-1519103-C	LOWER FRONT PANEL LEFT		1				1				1				
	5425-1519105-C	LOWER FRONT PANEL LEFT			1				1				1			
	5425-1519107-C	LOWER FRONT PANEL LEFT				1				1				1		
	5425-1519109-C	LOWER FRONT PANEL 72					2								2	
7	60142502	CONTROLLER SOLID STATE 24VAC	2	3	4	5	6	3	4	5						
	60142801	CONTROLLER ELECTRIC 24VAC*									2	3	4	5	6	
8	A6087302	LABEL, TEMP 150-550	2	3	4	5	6	3	4	5						

Switch / Control Panel Drawing D

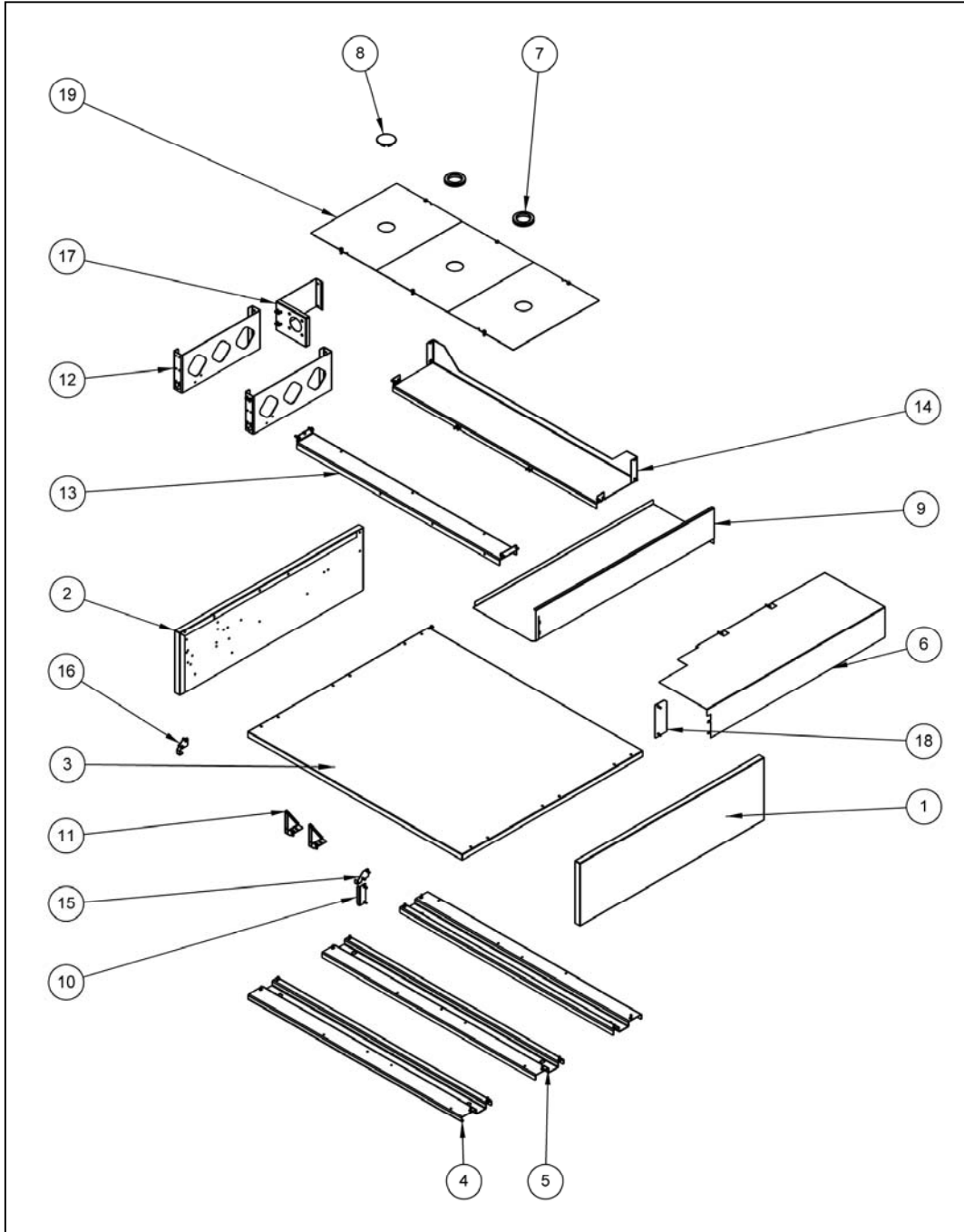


# SECTION E: Cabinet

## Cabinet Parts list E

ITEM #	P/N	DESC.	QUANTITY							
			MKE24	MKE36	MKE48	MKE60	MKE72	FG-MKE36	FG-MKE48	FG-MKE60
1	5225-1532601-C	CABINET SIDE, MKG RH	1	1	1	1	1			
	5225-1539301-C	CABINET SIDE RH MKG 5 GUYS						1	1	1
2	5225-1532602-C	CABINET SIDE, MKG LH	1	1	1	1	1			
	5225-1539302-C	CABINET SIDE LH MKG 5 GUYS						1	1	1
3	5425-1519101-C	CABINET BOTTOM OUTER 24	1							
	5425-1519102-C	CABINET BOTTOM OUTER 36		1				1		
	5425-1519103-C	CABINET BOTTOM OUTER 48			1				1	
	5425-1519104-C	CABINET BOTTOM OUTER 60				1				1
	5425-1519105-C	CABINET BOTTOM OUTER 72					1			
4	5125-1519201-C	CABINET FRONT AND REAR 24	1							
	5125-1519202-C	CABINET FRONT AND REAR 36		1				1		
	5125-1519203-C	CABINET FRONT AND REAR 48			1				1	
	5125-1519204-C	CABINET FRONT AND REAR 60				1				1
	5125-1519205-C	CABINET FRONT AND REAR 72					1			
5	5425-1519006-C	CABINET SUPORT MID 24	1							
	5425-1519007-C	CABINET SUPORT MID 36		1				1		
	5425-1519008-C	CABINET SUPORT MID 48			1				1	
	5425-1519009-C	CABINET SUPORT MID 60				1				1
	5425-1519010-C	CABINET SUPORT MID 72					1			
6	5425-1530501-C	GREASE BOX, ENCLOSURE LH	1	1	1	1	1			
	5425-1530502-C	GREASE BOX, ENCLOSURE RH					1			
	5425-1530503-C	GREASE BOX, ENCLOSURE SD TRH						1	1	1
7	P6071228	GROMMET, 1.703ID, 2.000 GROOVE	1	2	3	4	5	2	3	4
8	P6071448	PLUG, 2.000 SHEET METAL	1	1	1	1	1			
9	5425-1539902-C	GREASE BOX, FLOOR LH	1	1	1	1	1	1	1	1
	5425-1539904-C	GREASE BOX, FLOOR RH					1			
10	5425-1530601-C	LOWER FRONT PANEL CLIP RH	1	1	1	1		1	1	1
11	5425-1555901-C	SUPPORT, CONTROLLER PANEL	1	2	2	2	2	2	2	2
12	5425-1553401-C	CABINET, INNER UPRIGHT SUPPORT	1	2	3	4	5	2	3	4
13	5425-1554001-C	CABINET INNER FRONT 24	1							
	5425-1554003-C	CABINET INNER FRONT 36		1				1		
	5425-1554005-C	CABINET INNER FRONT 48			1				1	
	5425-1554007-C	CABINET INNER FRONT 60				1				1
	5425-1554009-C	CABINET INNER FRONT 72					1			
14	5425-1530901-C	CABINET, REAR SUPPORT 24	1							
	5425-1530902-C	CABINET, REAR SUPPORT 36		1				1		
	5425-1530903-C	CABINET, REAR SUPPORT 48			1				1	
	5425-1530904-C	CABINET, REAR SUPPORT 60				1				1
	5425-1530905-C	CABINET, REAR SUPPORT 72					1			
15	5425-1549402-C	SWITCH PANEL, RH RETAINER	1	1	1	1	1	1	1	1
16	5425-1549401-C	SWITCH PANEL, LH RETAINER	1	1	1	1	1	1	1	1
17	5425-1555401-C	CABLE STAY, MKE CORD	1	1	2	2	2	1	2	2
18	5425-1555703-C	CABINET BACK, LOWER BRACKET RH	1	1	1	1	1	1	1	1
	5425-1555701-C	CABINET BACK, LOWER BRACKET 72					1			
19	5425-1554101-C	HEAT SHIELD, MID OUTER	2	2	2	2	2	1	1	1
	5425-1554103-C	HEAT SHIELD, MID CENTER		1	2	3	4			
	5425-1554105-C	HEAT SHIELD, MID LH TROUGH						1	1	1

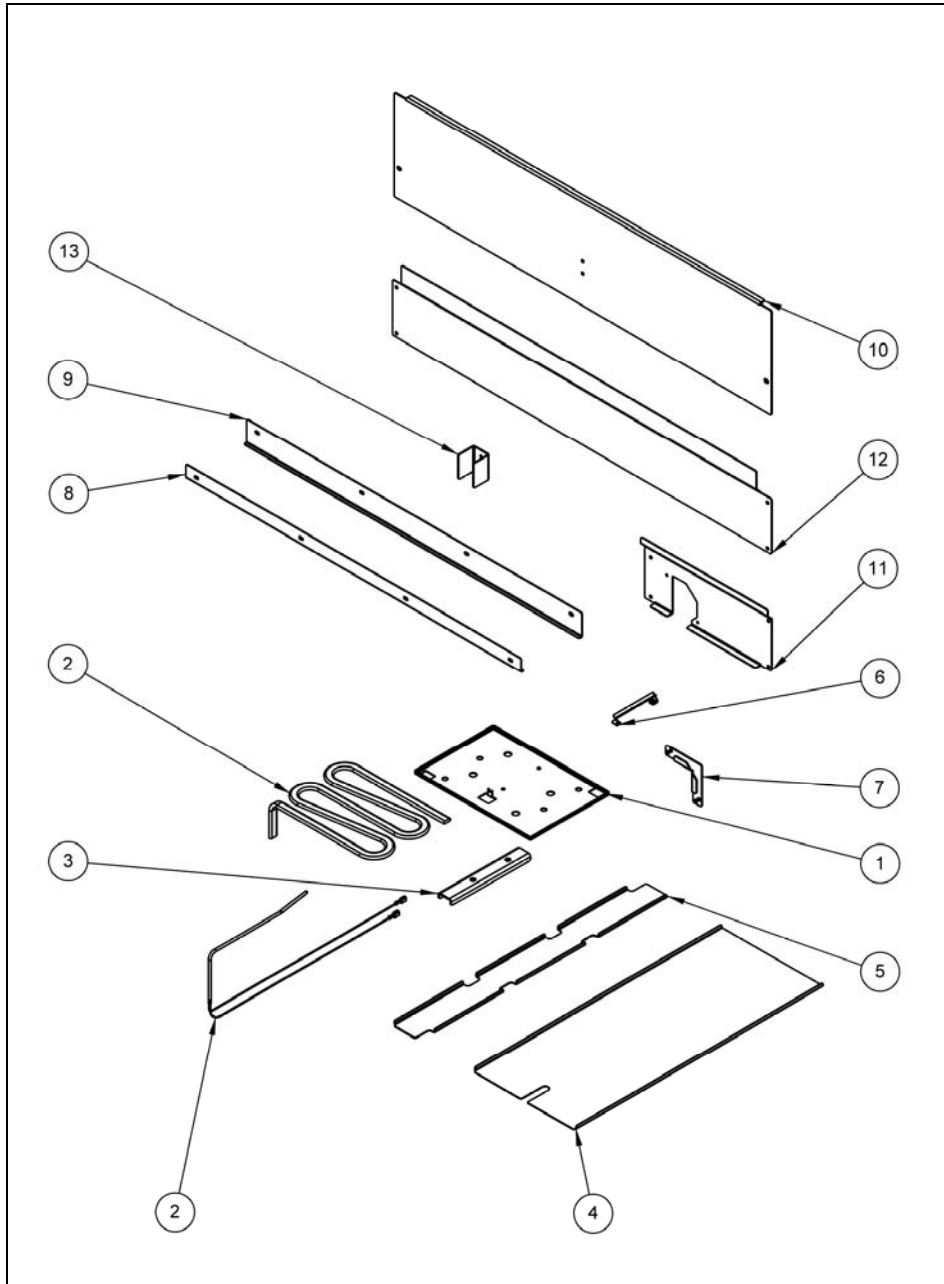
# Cabinet Drawing E



**SECTION F: Elements, Upper Heat Shield, and Cabinet Backs**  
**Elements, Upper Heat Shield, and Cabinet Backs Drawing F Parts List**

ITEM #	P/N	DESCRIPTION	QUANTITY												
			MKE24	MKE36	MKE48	MKE60	MKE72	MKE24 E-TSTAT	MKE36 E-TSTAT	MKE48 E-TSTAT	MKE60 E-TSTAT	MKE72 E-TSTAT	FG-MKE36	FG-MKE48	FG-MKE60
	5125-1555101-C	ELEMENT, CLAMP FRONT E-TSTAT 10"						2	3	4	5	6			
1	5125-1555102-C	ELEMENT, CLAMP PLATE FRONT 10"	2	3	4	5	6						2	3	4
	5125-1555103-C	ELEMENT, CLAMP PLATE 10"	4	6	8	10	12	4	6	8	10	12	4	6	8
	5125-1554604-C	ELEMENT, CLAMP PLATE FRONT 7"											1	1	1
	5125-1554608-C	ELEMENT, CLAMP PLATE 7"											2	2	2
2	50007601	ELEMENT, FB MKE 208V 10" 1900W	6	9	12	15	18	6	9	12	15	18	6	9	12
	50007602	ELEMENT, FB MKE 240V 10" 1900W	6	9	12	15	18	6	9	12	15	18	6	9	12
	50007701	ELEMENT, FB MKE 208V 7" 1425W											3	3	3
	50007702	ELEMENT, FB MKE 240V " 1425W											3	3	3
3	5425-1554701-C	ELEMENT, CLAMP STRAP 10"	12	18	24	30	36	12	18	24	30	36	12	18	24
	5425-1554703-C	ELEMENT, CLAMP STRAP 7"											6	6	6
4	5425-1555201-C	HEAT SHIELD, UPPER STANDARD	2	3	4	5	6	2	3	4	5	6	1	2	3
	5425-1555203-C	HEAT SHIELD, UPPER LH TROUGH											1	1	1
5	5425-1555301-C	HEAT SHIELD, UPPER GAP STANDARD		1	2	3	4		1	2	3	4	1	2	3
	5425-1555303-C	HEAT SHIELD, UPPER GAP LH	1	1	1	1	1	1	1	1	1	1			
	5425-1555305-C	HEAT SHIELD, UPPER GAP LH TRH											1	1	1
6	60141102	PROBE, RTD 1K DIN 13" MKE	2	3	4	5	6					3	4	5	
7	A1847501	CABINET, BRACKET POWER CORD	2	2	4	4	4	2	2	4	4	4	2	4	4
8	5425-1554901-C	HEAT SHIELD, UPPER SUPPORT FRONT 24	1					1							
	5425-1554903-C	HEAT SHIELD, UPPER SUPPORT FRONT 36		1					1				1		
	5425-1554905-C	HEAT SHIELD, UPPER SUPPORT FRONT 48			1					1				1	
	5425-1554907-C	HEAT SHIELD, UPPER SUPPORT FRONT 60				1					1				1
	5425-1554909-C	HEAT SHIELD, UPPER SUPPORT FRONT 72					1					1			
9	5425-1554911-C	HEAT SHIELD, UPPER SUPPORT REAR 24	1					1							
	5425-1554913-C	HEAT SHIELD, UPPER SUPPORT REAR 36		1					1				1		
	5425-1554915-C	HEAT SHIELD, UPPER SUPPORT REAR 48			1					1				1	
	5425-1554917-C	HEAT SHIELD, UPPER SUPPORT REAR 60				1					1				1
	5425-1554919-C	HEAT SHIELD, UPPER SUPPORT REAR 72					1					1			
10	5425-1553901-C	CABINET BACK, UPPER 24	1					1							
	5425-1553903-C	CABINET BACK, UPPER 36		1					1				1		
	5425-1553905-C	CABINET BACK, UPPER 48			1					1				1	
	5425-1553907-C	CABINET BACK, UPPER 60				1					1				1
	5425-1553909-C	CABINET BACK, UPPER 72					1					1			
11	5425-1555501-C	CABINET BACK, LOWER 24	1					1							
	5425-1555503-C	CABINET BACK, LOWER 36		1					1				1		
	5425-1555505-C	CABINET BACK, LOWER 48			1					1				1	
	5425-1555507-C	CABINET BACK, LOWER 60				1					1				1
	5425-1555509-C	CABINET BACK, LOWER 72					1					1			
12	5425-1555601-C	CABINET BACK, MIDDLE 24	1					1							
	5425-1555603-C	CABINET BACK, MIDDLE 36		1					1				1		
	5425-1555605-C	CABINET BACK, MIDDLE 48			1					1				1	
	5425-1555607-C	CABINET BACK, MIDDLE 60				1					1				1
	5425-1555609-C	CABINET BACK, MIDDLE 72					1					1			
13	5425-1556301-C	CABINET BACK, UPPER SPACER	1	1	1	1	1	1	1	1	1	1	1	1	1

Elements, Upper Heat Shield, and Cabinet Backs Drawing F





In the event of problems with or questions about your order, please contact the MagiKitch'n factory at:

(603) 225-6684 World Wide  
[www.magikitchn.com](http://www.magikitchn.com)

In the event of problems with or questions about your equipment, please contact the MagiKitch'n Authorized Service and Parts representative (ASAP) covering your area, or contact MagiKitch'n at the numbers listed to the left.

MAILING ADDRESS – P.O. BOX 501, CONCORD, NH 03302-0501  
SHIPPING ADDRESS – 10 FERRY ST., CONCORD, NH 03301